

Short Instructions for Use

Auxiliary Fresh-Gas Outlet

**Supplement to Instructions for Use for
Fabius MRI**

Supplement to Instructions for Use

The Short Instructions for Use is allocated to the medical device to which the described products are attached and updates the information in the Instructions for Use with the following article numbers:

9039036, 2nd edition July 2007

Intended use

Auxiliary fresh gas outlet for external non-rebreathing systems, for use at anesthesia machine Fabius MRI.

The non-rebreathing system shall be equipped with a means to ensure a pressure at the patient connection port of maximal 125 cmH₂O (hPa).

To ensure this pressure, a reservoir bag complying with ISO 5362 may be considered. This reservoir bag limits the pressure to 55 cmH₂O (hPa). A non-rebreathing system including a pressure relief valve to ensure a maximal pressure of 125 cmH₂O (hPa) can also be used.

WARNING

Use only non-rebreathing systems having a reservoir bag in compliance with ISO 5362 and/or a pressure relief valve to ensure correct pressure at the patient connection port. If disregarded, this could lead to personal injury.

WARNING

Do not use non-rebreathing systems, e.g. Magill, Kuhn or Bain. They are not MR compatible.

Otherwise the diagnostic quality of the MRT images will be affected.

CAUTION

Use MR compatible non-rebreathing systems.

Otherwise the diagnostic quality of the MRT images will be affected.

Auxiliary Fresh Gas Outlet (Optional)

Auxiliary fresh gas outlet for external non-rebreathing systems at Fabius MRI anesthesia machine.

Using the fresh gas outlet as common gas outlet (CGO)

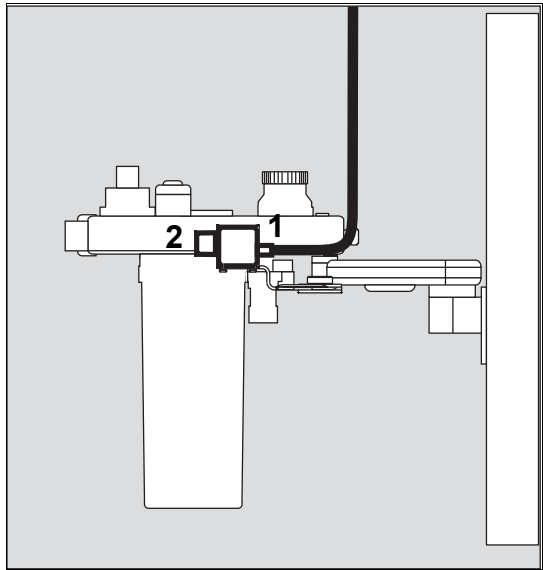
- Disconnect fresh gas hose from COSY.
- 1 Connect the fresh gas hose to auxiliary fresh gas outlet.
 - 2 Connect the external non-rebreathing system to the auxiliary fresh gas outlet.
- Follow the Instructions for Use included with the external non-rebreathing system.

Operation

- Set adequate fresh gas flow.
- Operate the used external non-rebreathing system according to the corresponding Instructions for Use.

End of operation

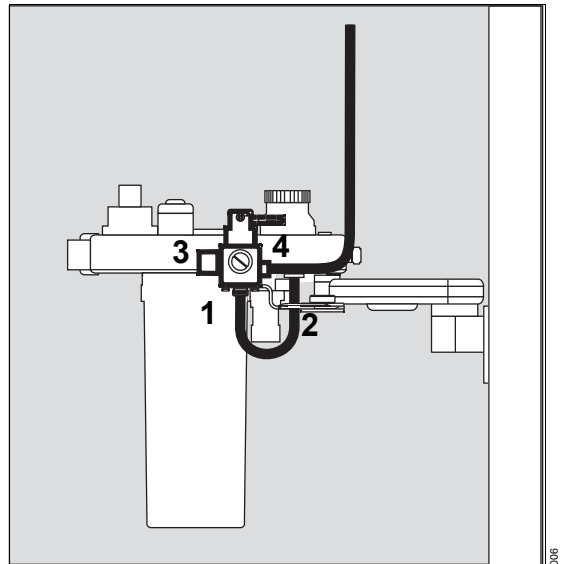
- Close fresh gas control valves at the Fabius MRI.
- Disconnect the fresh gas hose from used external non-rebreathing system and connect the fresh gas hose to the COSY.
- Reconnect the sample line to the breathing circuit.




Auxiliary Fresh Gas Outlet Switch (Optional)

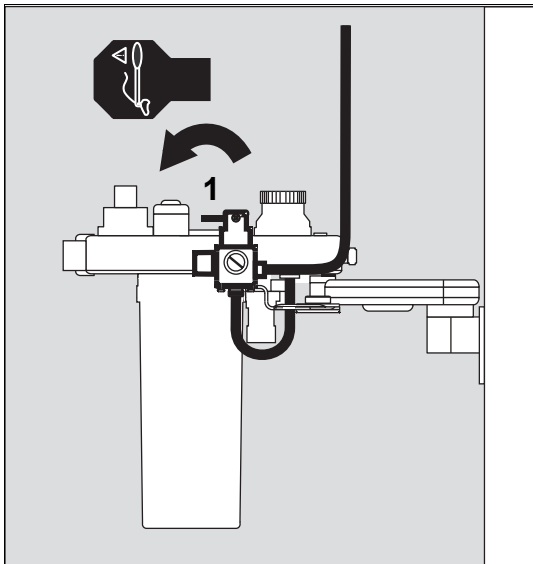
The auxiliary fresh gas outlet switch provides a means for switching the fresh gas flow between two separate patient breathing circuits without changing fresh-gas hose connections. Switching the flow is accomplished by moving the lever, located on top of the auxiliary fresh gas outlet switch, to the desired flow position. This lever controls a spring loaded switch that has a positive set position in either the right-hand or the left-hand side of the auxiliary fresh gas outlet switch. This spring loaded feature ensures positive sealing for the fresh gas flow to the breathing circuit selected.

- The auxiliary fresh gas outlet switch is connected to the fresh gas outlet via the conical fitting.
- The lower vertical port of the auxiliary fresh gas outlet switch (1) is connected to the Compact breathing system (2) on the Fabius MRI.
- Connect the horizontal port of the auxiliary fresh gas outlet switch (3) to the external non-rebreathing system.
- Connect the fresh gas hose (4) to auxiliary fresh gas outlet.



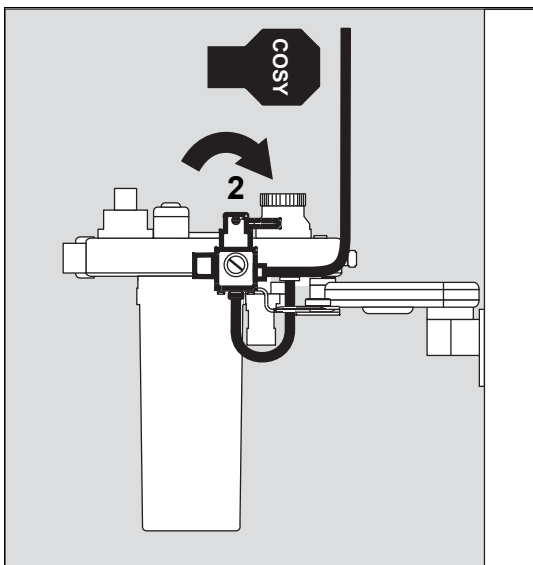
Fresh gas flow to external non-rebreathing system:

- 1 Set lever of switch to »  «.
Lever points in direction of external non-rebreathing system and shows external non-rebreathing symbol.
- Set adequate fresh gas flow.
 - Operate the external non-rebreathing system according to the corresponding Instructions for Use.



Fresh gas flow to COSY:

- 2 Set lever of the switch to »**COSY**«.
Lever points in direction of auxiliary fresh gas outlet and shows »**COSY**«.



End of operation

- Close fresh gas control valves at the Fabius MRI.
- Set lever of switch to »**COSY**«.
Lever points in direction of auxiliary fresh gas outlet and shows »**COSY**«.

Technical data

The ambient conditions for the auxiliary fresh gas outlet do not differ from those of the Fabius MRI. Please refer to the Fabius MRI Instructions for Use.

Fresh-gas outlet Male cone 22 ISO, Female cone 15 ISO, (with thread to secure)

Pressure limitation Max. 80 hPa (cmH₂O) at 18 L/min

Classification Class II a
in accordance with Directive 93/42/EEC Annex IX

UMDNS Code 17-682
Universal Medical Device Nomenclature System – nomenclature for medical devices


Disinfecting/cleaning/sterilizing

- Disinfect with a wipe disinfectant, e.g. with Incidin Extra N or Incidur.
Note the manufacturer's Instructions for Use for the used external non-rebreathing system.
Do not allow any liquids to enter openings in the device.



Directive 93/42/EEC
Concerning Medical Devices

Dräger Medical GmbH
Germany

 Moislinger Allee 53 – 55

D-23542 Lübeck



+49 451 8 82- 0

FAX +49 451 8 82- 20 80



<http://www.draeger.com>

90 39 390 - GA 5330.605 en

© Dräger Medical GmbH

Edition: 3 – 2015-01

Dräger reserves the right to make modifications to the equipment without prior notice.



As of 2015-08:
Dräger Medical GmbH
changes to
Drägerwerk AG & Co. KGaA