

Polytron 5100 [4683.810]



ORDER INFORMATION

Order

When placing an order for a spare part it is necessary to provide only the order number listed in the spare parts list. Where no pack quantity is indicated this means 1 item. In the case of a spare parts set or kit (1) then this may include multiple quantities of mixed items. When a pack quantity is shown; then the minimum order quantity must correspond with the pack quantity or multiples of the pack quantity.

Examples:

1. A customer orders 1 item:
 - When entering the order the order quantity is automatically increased to 10 items (1 package).
 - Price charged: 1 package at 9.00 EUR.
2. A customer orders 3 items:
 - When entering the order the order quantity is automatically increased to 10 items (1 package).
 - For order quantity and price charged please see above example no. 1.
3. A customer orders 16 items:
 - When entering the order, the order quantity is automatically increased to 20 items (2 packages).
 - Quantity delivered 2 packages with 10 items in each.
 - Price charged: 2 packages at 9.00 EUR each; total price = 18.00 EUR.

Spare parts sets or kits

All the items contained in a spare parts set or kit must be used when carrying out a repair. Only by exchanging the complete sets can the correct functioning of the repaired device be assured.

Spare parts for authorised service stations

Items marked with a "T" in front of the order number can be obtained only by service-stations authorised exclusively through

Export authorisation

Items marked with an "X" in front of the order number are subject to an export authorisation requirement. Legal regulations with regards to these materials must be observed.

Repair-Exchange (REX)

A repair-exchange is normally carried out only if a repairable part has been returned by the customer. Dräger will charge the new list price for the new part, if the customer's old part is not received within described period.

Prices

Unless agreed otherwise, the prices are ex works including loading at the works and do not include statutory VAT. Prices are valid at the date of print. For further information, refer to the "Standard Terms and Conditions for Goods and Services of Dräger Safety AG & Co. KGaA per June 2005". Contact the local Dräger office for details.

Polytron 5100 [4683.810]

Polytron 5100



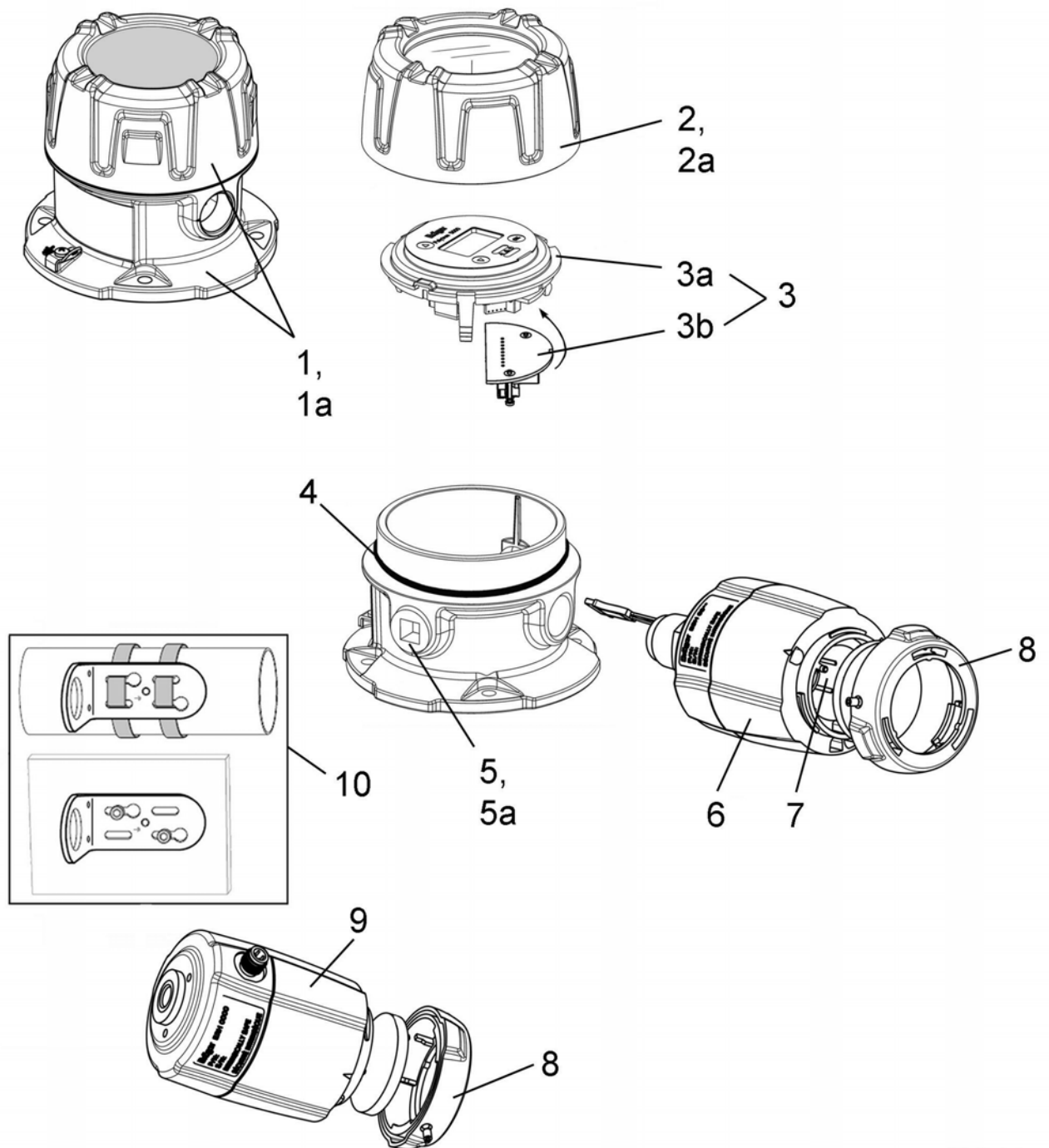
Polytron 5100 [4683.810]

Polytron 5100

Item Number	Description	Order Number	Product group	Packing quantity	Packing unit	End of repair
	P 5100 Ex d-version					
	P 5100 Ex e-version with Docking Station					

Polytron 5100 [4683.810]

P 5100 Ex d-version



Bild/ picture 1

Polytron 5100 [4683.810]

P 5100 Ex d-version

Item Number	Description	Order Number	Product group	Packing quantity	Packing unit	End of repair
1	D Junction box assy, st. steel, P5xx0/8xx0	4544098	348	1.000	ST	29991231
1a	D junction box assy, aluminum, P5xx0/8xx0	4544099	348	1.000	ST	29991231
2	Lid alu assy P5xx0/8xx0, SPPT	4544340	371	1.000	ST	29991231
2a	Lid steel assy P5xx0/8xx0, SPPT	4544341	394	1.000	ST	29991231
3*	PCB unit P5xx0 EC relay, SPPT consists of position number 3a and 3b	4544090	394	1.000	ST	00000000
3a*	PCB unit P5xx0 EC, SPPT	4544086	394	1.000	ST	20230424
3b*	PCB Relay P5xx0, SPPT	4544297	394	1.000	ST	00000000
4	O-ring 104x3.5 P5xx0/8xx0, SPPT	8344046	394	1.000	ST	00000000
5	Blind plug DNV approval P5/8 (2 pcs.)	4544897	384	1.000	ST	29991231
5a	Blind plug 3/4-14 NPT P5/8 (3pcs.), SPPT	8344041	394	1.000	ST	00000000
6	EC sensing head P5xx0/8xx0, SPPT incl. Galvanic Isolator	8344032	348	1.000	ST	29991231
8	Bayonet ring P5xx0/8xx0, SPPT	4544366	394	1.000	ST	00000000
9	EC sensing head Polytron5000/8000 remote incl. position number 10	6812684	372	1.000	ST	29991231
10	Wall/pipe mount kit sensing head EC	4544213	348	1.000	ST	29991231

Subsequent position not illustrated:

-	PCB connector Polytron 5xx0, SPPT	8344036	394	1.000	ST	00000000
-	PCB connector P5xx0/8xx0 relay, SPPT	8344038	394	1.000	ST	00000000
-	PE connection D-Box P5xx0/8xx0, SPPT	8344044	394	1.000	ST	00000000
-	Kit, incl. hardware P5xx0/8xx0, SPPT	4544167	394	1.000	ST	00000000

Accessory:

-	Pole mounting kit P5xx0/8xx0	4544198	348	1.000	ST	29991231
-	Duct Mount set Polytron 5000/8000	6812725	348	1.000	ST	29991231
-	Magnet w/ key chain, Px00	4544101	348	1.000	ST	29991231
-	Splash guard	6812510	348	1.000	ST	29991231
-	Gasing adapter PE with tubing	4509314	348	1.000	ST	29991231
-	Gasing adapter PE	6806978	348	1.000	ST	29991231
-	Calibration adapter V	6810536	348	1.000	ST	29991231
-	Remote cable + plug 5 m P5XX0/8XX0	8323305	348	1.000	ST	29991231
-	Remote cable + plug 15 m P5XX0/8XX0	8323315	348	1.000	ST	29991231
-	Remote cable + plug 30 m P5XX0/8XX0	8323330	348	1.000	ST	29991231
-	Polytron 7000 remote duct adapter	8317617	348	1.000	ST	29991231
-	Process adapter RS EC stainless steel	8323404	348	1.000	ST	29991231

Polytron 5100 [4683.810]

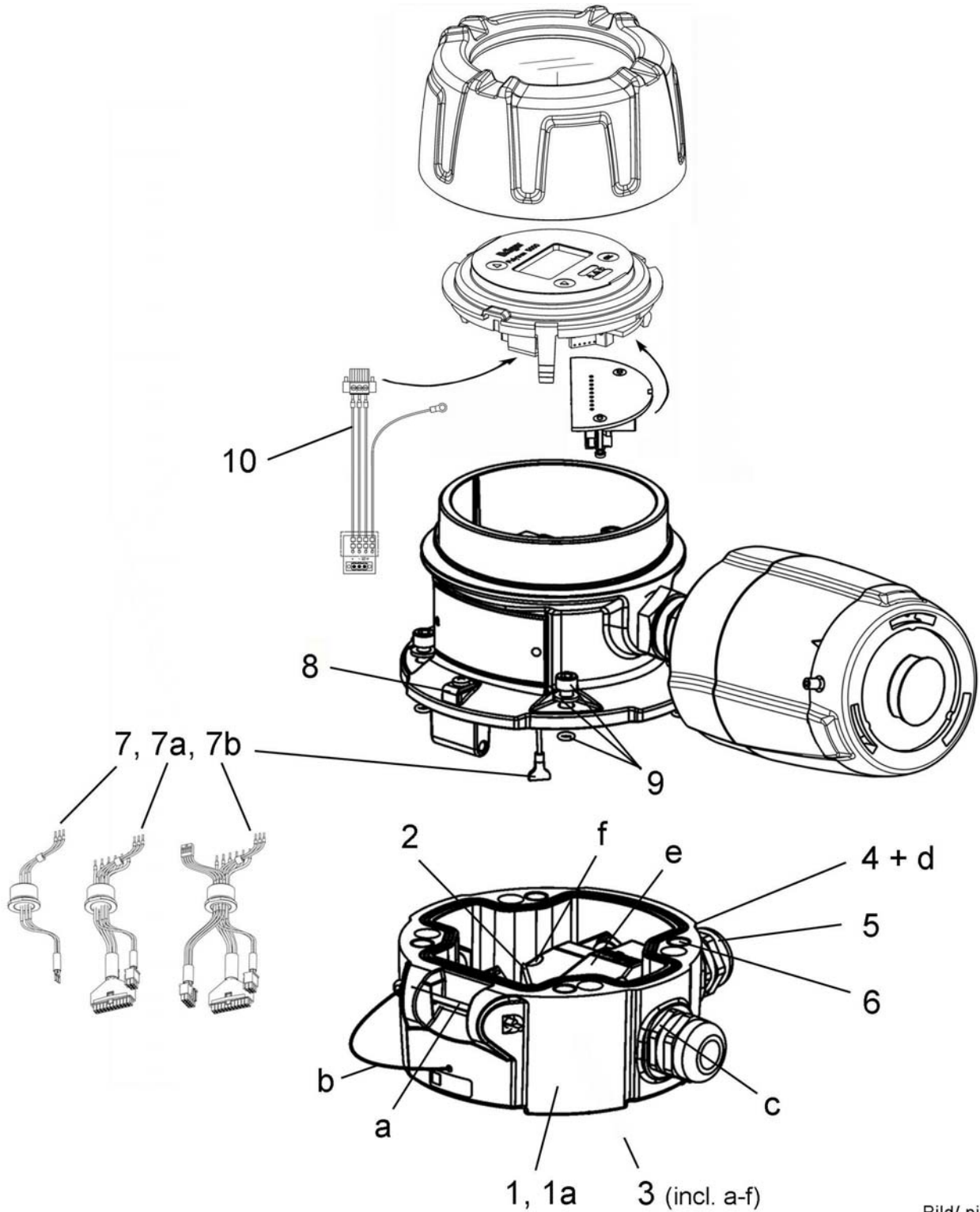
P 5100 Ex d-version

Item Number	Description	Order Number	Product group	Packing quantity	Packing unit	End of repair
-	IRDA interface assy P5xx0/8xx0	4544197	348	1.000	ST	29991231
-	Dräger PolySoft	8323405	316	1.000	ST	29991231
-	Dräger PolySoft Premium	8323411	316	1.000	ST	29991231

* Terminal blocks not included

Polytron 5100 [4683.810]

P 5100 Ex e-version with Docking Station



Bild/ picture 2

Polytron 5100 [4683.810]

P 5100 Ex e-version with Docking Station

Item Number	Description	Order Number	Product group	Packing quantity	Packing unit	End of repair
1	Docking Station P5xx0/8xx0 Power	8344027	348	1.000	ST	29991231
1a	Docking Station P5xx0/8xx0 Relay/Remote	8344028	348	1.000	ST	29991231
2	PCB Docking Station P5XX0/8XX0, SPPT	6812839	394	1.000	ST	00000000
3	Hardware for Docking St. P5xx0/8xx0,SPPT consists of position number a-f	6812838	394	1.000	ST	00000000
4	Plug M20x1.5 P5/8 e-version (3pcs.),SPPT optional, depending on variant Docking Station	8344042	394	1.000	ST	00000000
5	Cable gland Docking St. P5xx0/8xx0,SPPT	6812868	394	1.000	ST	29991231
6	Alignment plug P5/8 e-versi.(3pcs.),SPPT	8344045	394	1.000	ST	00000000
7	Feedthrough 3 wires P5xx0/8xx0, SPPT for item number 1	4544182	394	1.000	ST	00000000
7a	Feedthrough 9 wires P5xx0/8xx0, SPPT for item number 1a	4544169	394	1.000	ST	00000000
7b	Feedthrough 14 wires P5xx0/8xx0, SPPT for item number 1a	4544168	394	1.000	ST	00000000
8	Grounding sheet P5XX0/8XX0, SPPT	8344048	394	1.000	ST	00000000
9	Docking St. mounting kit P5xx0/8xx0,SPPT	8344047	394	1.000	ST	00000000
10	Retrofit kit Polytron 5100, SPPT	8326985	394	1.000	ST	00000000
Subsequent position not illustrated:						
-	Strain relief II P5XX0/8XX0, SPPT	8344049	394	1.000	ST	00000000
-	Strain relief I P5XX0/8XX0, SPPT	8344050	394	1.000	ST	00000000
-	PE connect. Docking St. P5xx0/8xx0, SPPT	8344043	394	1.000	ST	00000000

For additional spare parts see picture 1