

# Babytherm<sup>®</sup> 8000 WB



**WARNING:**  
For a full understanding of the performance characteristics of this device, the user should carefully read this manual before use of the device.

## Instructions for Use

## Definitions

### **WARNING**

A **WARNING** statement provides important information about a potentially hazardous situation which, if not avoided, could result in death or serious injury.

### **CAUTION**

A **CAUTION** statement provides important information about a potentially hazardous situation which, if not avoided, may result in minor or moderate injury to the user or patient or in damage to the equipment or other property.

### **NOTE**

A **NOTE** provides additional information intended to avoid inconvenience during operation.

## Table of contents

Definitions . . . . .	2	<b>What's what . . . . .</b>	<b>35</b>
<b>For Your Safety and that of Your Patients . . . . .</b>	<b>4</b>	Complete unit . . . . .	35
General WARNINGS and CAUTIONS . . . . .	5	Mattress heater control panel . . . . .	36
<b>Intended Use . . . . .</b>	<b>6</b>	<b>Technical Data . . . . .</b>	<b>37</b>
<b>Preparation . . . . .</b>	<b>7</b>	<b>Construction and Description . . . . .</b>	<b>39</b>
Trolley . . . . .	7	Heated mattress . . . . .	39
Storage options . . . . .	7	<b>Order List . . . . .</b>	<b>40</b>
Bronchial aspirator . . . . .	8	<b>Parts List . . . . .</b>	<b>42</b>
Infusion bottle holder . . . . .	9	<b>Index . . . . .</b>	<b>43</b>
Accessories for oxygen therapy . . . . .	9		
Warming bed . . . . .	11		
Fitting the inner panels . . . . .	11		
Fitting the ventilation hose bracket . . . . .	12		
Mattress . . . . .	12		
Bed canopy . . . . .	12		
Tilting the bed . . . . .	13		
In-hospital transport . . . . .	13		
<b>Testing Readiness for Operation . . . . .</b>	<b>14</b>		
Before using for the first time . . . . .	14		
Before each use . . . . .	14		
<b>Operation . . . . .</b>	<b>15</b>		
Precautions . . . . .	15		
Heat therapy . . . . .	17		
Mattress heating . . . . .	17		
Radiant warmer . . . . .	21		
Recommended heater settings . . . . .	22		
Using the bed canopy . . . . .	25		
Oxygen therapy . . . . .	27		
Using phototherapy (optional) . . . . .	28		
Bronchial aspiration . . . . .	30		
Taking X-rays . . . . .	30		
<b>Care . . . . .</b>	<b>31</b>		
Dismantling . . . . .	31		
Disinfecting/Cleaning/Sterilising . . . . .	31		
Before next use . . . . .	32		
<b>Maintenance Intervals . . . . .</b>	<b>33</b>		
<b>Disposing of the Unit . . . . .</b>	<b>33</b>		
<b>Troubleshooting . . . . .</b>	<b>34</b>		
Mattress heating . . . . .	34		
Height adjustment (optional) . . . . .	34		

## For Your Safety and that of Your Patients

### Strictly follow these Instructions for Use

#### **WARNING**

**Strictly follow these Instructions for Use.**

**Any use of the product requires full understanding and strict observation of all portions of these instructions. The device is only to be used for the purpose specified under "Intended Use" on page 6 and in conjunction with appropriate patient monitoring. Observe all WARNING and CAUTION statements throughout this manual and all statements on device labels.**

### Maintenance

#### **WARNING**

**The device must be inspected and serviced regularly by trained service personnel. Repair of the device may also only be carried out by trained service personnel. Dräger recommends that a service contract be obtained with DrägerService and that all repairs also be carried out by them. Dräger recommends that only authentic Dräger repair parts be used for maintenance. Otherwise the correct functioning of the device may be compromised. Observe chapter "Maintenance Intervals".**

### Accessories

#### **WARNING**

**Only the accessories indicated on the Order List have been tested and approved to be used with the device. Accordingly it is strongly recommended that only these accessories be used in conjunction with the specific device. Otherwise the correct functioning of the device may be compromised.**

### Not for use in areas of explosion hazard

#### **WARNING**

**This apparatus is neither approved nor certified for use in areas where combustible or explosive gas mixtures are likely to occur.**

### Safe connection with other electrical equipment

#### **WARNING**

**Electrical connections to equipment which is not listed in these Instructions for Use should only be made following consultation with the respective manufacturers.**

### Patient safety

The design of the equipment, the accompanying literature, and the labelling on the equipment take into consideration that the purchase and use of the equipment are restricted to trained professionals, and that certain inherent characteristics of the equipment are known to the trained operator. Instructions, WARNINGS and CAUTION statements are limited, therefore, largely to the specifics of the Dräger design.

This publication excludes references to various hazards which are obvious to a medical professional and operator of this equipment, to the consequences of product misuse, and to potentially adverse effects in patients with abnormal conditions. Product modification or misuse can be dangerous.

### Patient monitoring

The operators of the system must recognize their responsibility for choosing appropriate safety monitoring that supplies adequate information on equipment performance and patient condition.

Patient safety may be achieved through a wide variety of different means ranging from electronic surveillance of equipment performance and patient condition to simple, direct observation of clinical signs.

The responsibility for the selection of the best level of patient monitoring lies solely with the equipment operator.

Dräger Medical GmbH

## General WARNINGS and CAUTIONS

The following WARNINGS and CAUTIONS apply to general operation of the device.

WARNINGS and CAUTIONS specific to subsystems or particular features appear with those topics in later sections of the manual.

### Note on EMC/ESD risk for the device function

General information on electromagnetic compatibility (EMC) pursuant to international EMC standard IEC 60601-1-2: 2001. Electromedical devices are subject to special precautionary measures concerning electromagnetic compatibility (EMC) and must be installed and put into operation in accordance with the EMC information included in the technical documentation which is available from DrägerService on request.

Portable and mobile RF communications equipment can affect medical electrical equipment.

#### WARNING



**Connector pins with an ESD warning sign should not be touched and no connections should be made between these connectors without implementing ESD protective measures. Such precautionary procedures may include antistatic clothing and shoes, the touch of a ground stud before and during connecting the pins or the use of electrically isolating and antistatic gloves. All staff involved in the above shall receive instruction in these ESD precautionary procedures.**

#### CAUTION

It is the responsibility of the appropriate clinical decision-maker to draw conclusions from the skin temperature measurements taken.

#### WARNING

**Baby control mode must not be used with children who are in shock or who have fever.**

## Intended Use

Babytherm® 8000 WB\* is a unit for warming premature babies, neonates and infants with a body weight of up to 5 kg.

The unit may be used in operating theatres, neonatal wards, children's wards and paediatric intensive care units.

The unit may be operated by clinical staff or by nursing staff under the supervision of a doctor.

Babytherm 8000 WB provides heat through a heated gel mattress.

### Therapy and nursing uses

- Warming up, maintaining warmth and thermal stability with mattress heating
- Cooling patients with high temperatures (temperature of mattress below body temperature)
- Adjustable bed angle for head-up or head-down position – transitional bed for weaning infants from incubators
- O<sub>2</sub> therapy (with appropriate accessories)

Babytherm 8000 WB monitors and adjusts the temperature of the heating plate to attain and maintain a preselected temperature at the contact surface between the infant and the mattress.

The heat supplied through the mattress is not sufficient on its own for unclothed/uncovered infants/premature babies. An additional radiant warmer or a Babytherm 8004/8010 should be used.

### Optional

- Bed canopy (for O<sub>2</sub> therapy)
- Height adjustment
- Swivel cabinet

The basic unit can be combined with the accessories shown on the Order List.

### Optional therapy accessories

- Secretion aspirator
- O<sub>2</sub> flowmeter
- O<sub>2</sub> monitor
- O<sub>2</sub> hood
- O<sub>2</sub> injector
- Infusion bottle holder
- Phototherapy unit
- Radiant warmer on extra mobile stand

---

\* Babytherm® 8000 WB – is a registered trademark of Dräger

## Preparation

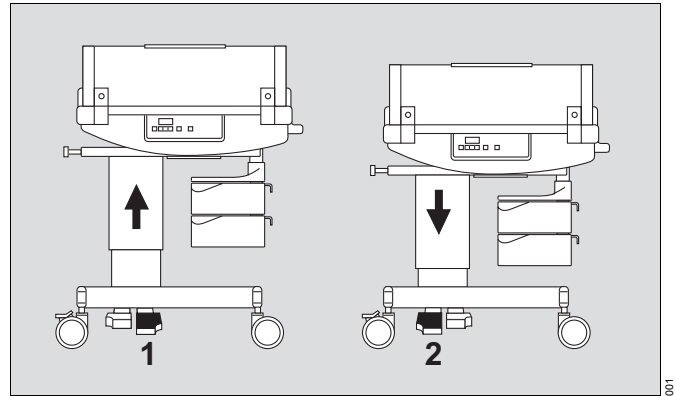
### Trolley

#### Adjusting the height

Height adjustment is optional.

Before each use check:

- Connect power supply.
- 1 Press right pedal briefly to raise the bed.
- 2 Press left pedal briefly to lower the bed.
- Adjust to a comfortable working height.
- Do not place any objects in the way of height adjustment.



### Storage options

Units with height-adjustable column:

- Swivel cabinet with 2 swivel compartments and 1 swivel tray (optional).

Units without height adjustment:

- 2 open compartments in the column,
- 1 swivel cabinet with 2 swivel compartments and 1 swivel tray (optional).

## Bronchial aspirator

- The aspirator should be prepared and tested according to the specific instructions for use.

### Positioning the ejector on the standard rail

1 Clip the ejector to the standard rail.

- Mounting bracket with projecting support:

Units with height adjustment

2 Screw bracket to the column so that the bottle holder is outside the path of the swivel cabinet.

Units with a fixed column

- Screw bracket to left side of column.

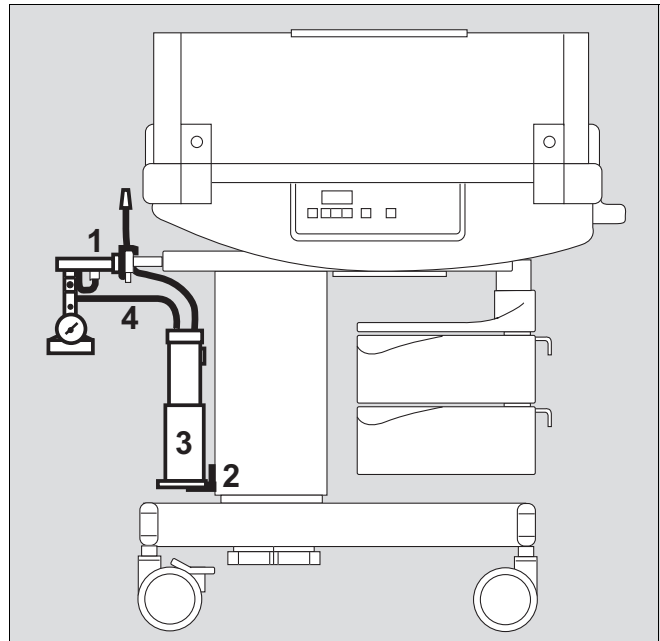
3 Place the bottle holder on the projecting support.

4 Connect the hose between the secretion bottle and the ejector.

- Clip the hose bracket to the standard rail.
- Mount the aspiration hose and attach to hose bracket.
- Screw on the connecting hose and plug the connector into the socket of the central supply system (park position).

When using the NIST\* connecting hose:

- Call in an expert to fit the fixed adapter to the device connector.



### Mounting the ejector to the bed

- Mounting bracket with projecting support:

Units with height adjustment

5 Screw the bracket to the column so that the bottle holder is outside the path of the swivel cabinet.

Units with a fixed column

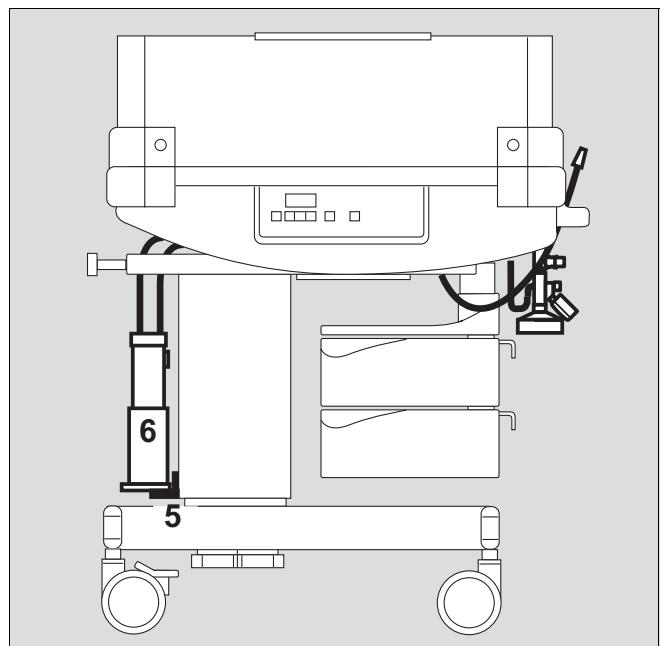
- Screw bracket to left side of column.

6 Place the bottle holder on the projecting support.

- Connect the hose between the secretion bottle and the ejector.
- Mount the aspiration hose and attach to hose bracket.
- Screw on the connecting hose and plug the connector into the socket of the central supply system (park position).

When using the NIST\* connecting hose:

- Call in an expert to fit the fixed adapter to the device connector.

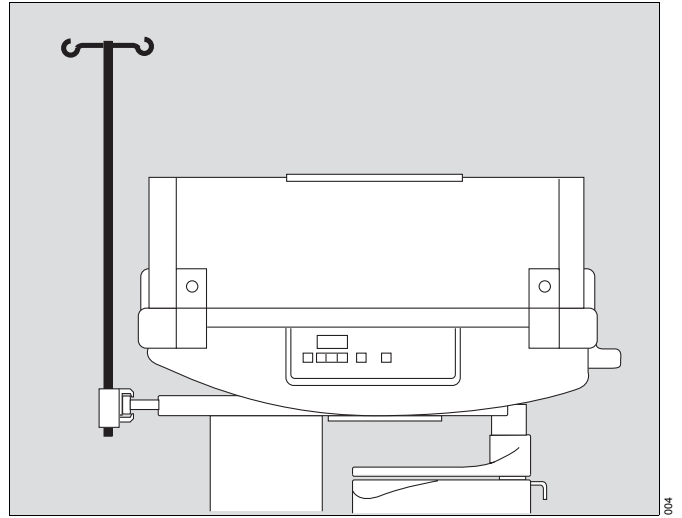


\* NIST: Non Interchangeable Screw Thread



### Infusion bottle holder

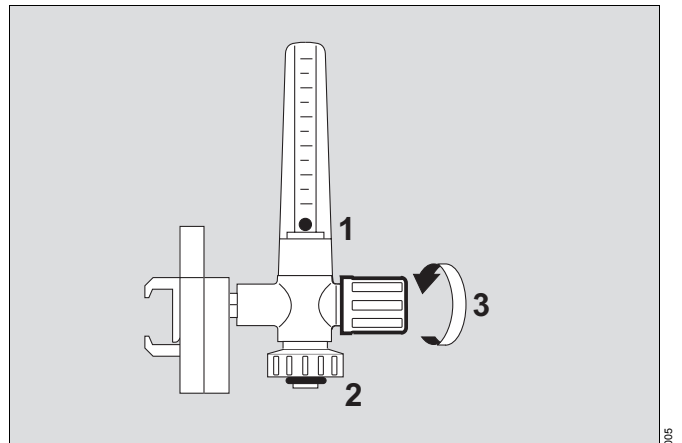
- Hang holder from standard rail and secure in place.



### Accessories for oxygen therapy

#### O<sub>2</sub> flowmeter

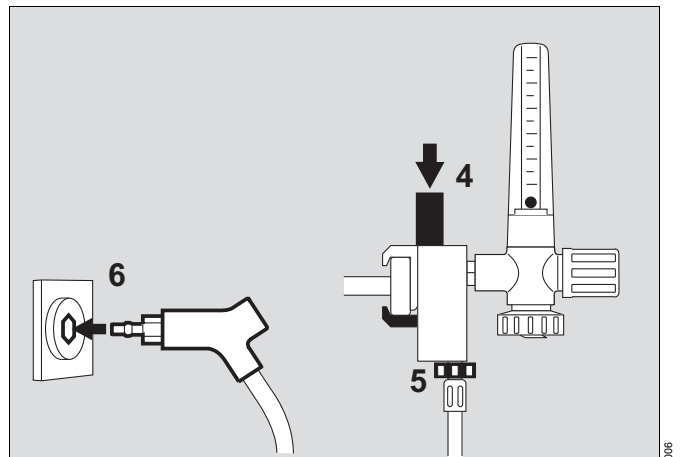
- Preparing the flowmeter:
  - 1 Check that the ball moves freely in the metering tube.
  - 2 Check that the sealing ring in the union nut is present and undamaged.
  - 3 Close valve clockwise.



- To mount the flowmeter on the standard rail:
  - 4 Press the slider all the way down; hook the flowmeter to the rail and release the slider.
  - 5 Screw on the O<sub>2</sub> connecting hose.
  - 6 Insert the connector of the connecting hose into the O<sub>2</sub> delivery socket and press it all the way in.

When using the NIST\* connecting hose:

- Call in an expert to fit the fixed adapter to the device connector.

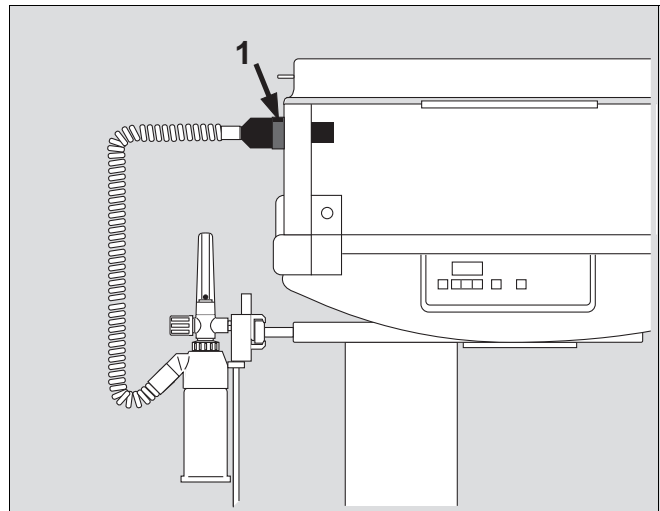


\* NIST: Non Interchangeable Screw Thread

### O<sub>2</sub> supply via injector

- 1 Press locking lever on mounting flange and push injector into flange.
- Allow locking lever on injector to engage. The injector is now locked.
  - Connect up hose.
  - Fit bed canopy (see page 25).

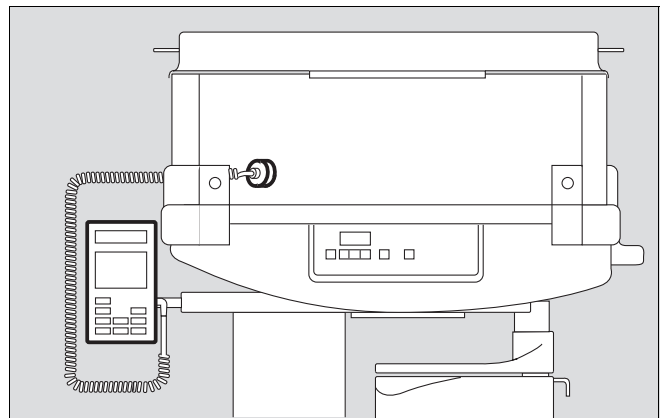
**O<sub>2</sub> supply should only be used with O<sub>2</sub> concentration monitoring, e.g. via MiniOx 3000.**



### O<sub>2</sub> monitor

e.g. MiniOx 3000

- Prepare the O<sub>2</sub> monitor in conformity with its specific Instructions for Use.
- Fasten O<sub>2</sub> monitor, complete with holder, to the standard rail. Turn the O<sub>2</sub> monitor so that the control panel of the measuring unit faces the mattress heater control panel.
- Place O<sub>2</sub> sensor in the warming bed and feed the cable through the hole in the end panel.
- Plug the connector of the sensor into the measuring unit.



## Warming bed

The bed is enclosed by two side panels and two end panels that can be opened independently of one another.

The side panels are equipped with holes for secretion and drainage hoses.

The end panels are equipped with flexible grommets for hoses and cables.

### Fitting the panels

- 1 Insert the lower mounting pins of the panel hinge-pieces into the guide slots on either side.

**Ensure that the handle of the side panels faces outwards.**

- Position the panel semi-upright.
- 2 Press the panel down firmly until the pins lock into position at the bottom of the slots.
- Fold the panel up into the vertical position and allow it to slide into the locking position.
- Fit all four panels in this way.

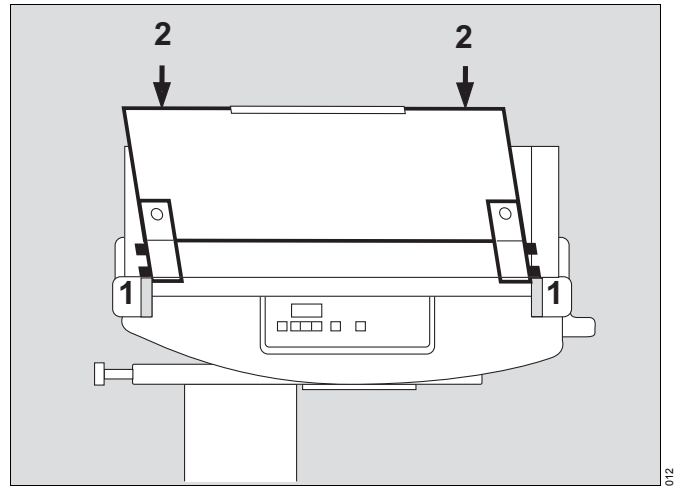
**Make sure that the panels are seated correctly.**

To open:

- Lift the panel all the way up until the upper pins come out of their slots, then fold the panel down.

With lively infants or older children:

- Use 230 mm high panels.



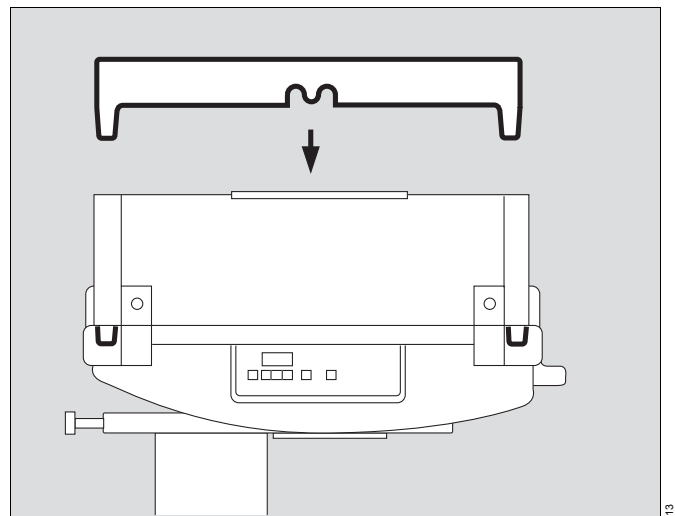
### Fitting the inner panels

#### WARNING

The inner panels should be used with all patients, whether the side panels are open or closed. Otherwise the patient may fall out!

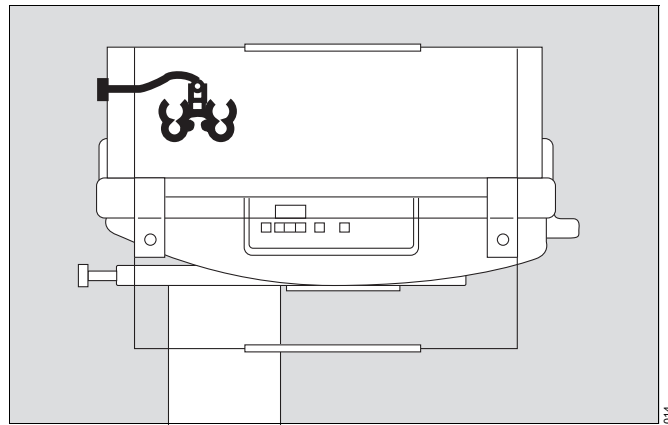
- Insert the pins into the tapered holes in the corners of the housing and press down slightly until the inner panel is firmly in place.

**Make sure that the panels are seated correctly.**



### Fitting the ventilation hose bracket

- Insert the hose bracket into the hole in the left-hand end panel and tighten with knurled nut.



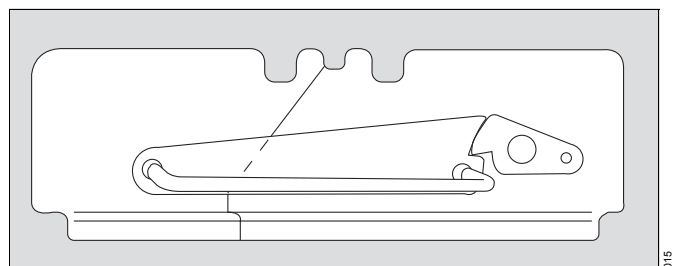
### Mattress

- When operating **with** mattress heater, the gel mattress (2M 20 827) should be used.
- Place gel mattress in the cot and cover it with a cotton sheet. Prevent contact with sharp objects, as these can damage the gel mattress. Do not fold or kink the gel mattress. To transport the gel mattress, roll it up. Always observe the gel mattress warming-up time. Wait for about 1 hour to allow the gel mattress to warm up before placing a patient in the Babytherm.

### Bed canopy

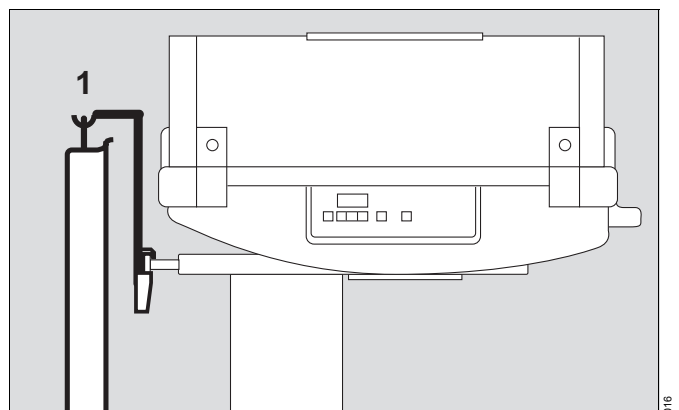
Optional  
Higher side panels (230 mm) are recommended when using the bed canopy.

- Check that the bed canopy is closed.



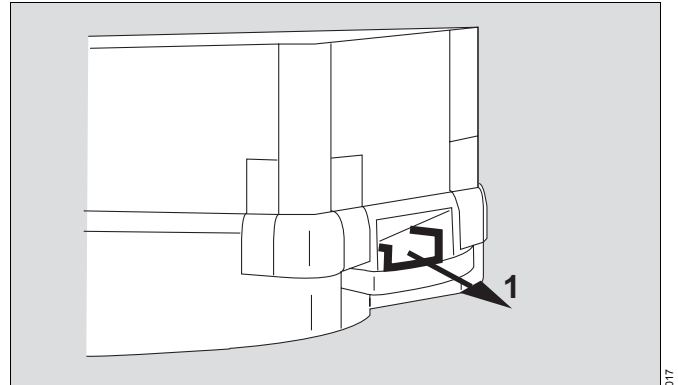
When the bed canopy is not required:

- Attach bracket to standard rail.
- 1 Hang bed canopy from the bracket.



## Tilting the bed

- 1 Pull the handle of the locking mechanism out towards the front.



- 2 Press handle down = head-up position.  
Pull handle up = head-down position.

  - Release the handle: the bed automatically locks into the selected position.

Maximum tilt angle:

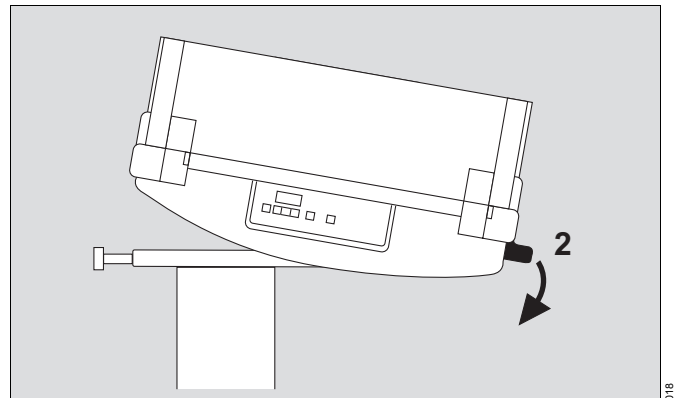
Head-up position: 20°

Head-down position: 15°

The bed can be tilted in finely graduated steps.

Preferred positions:

- Horizontal,
- 10° tilt head-up and
- 10° tilt head-down.



The mattress may slip at maximum tilt.

- In this case do not place a sheet over the mattress.

## In-hospital transport

- If optional height adjustment is fitted, lower the unit to its lowest position.
- Swivel the swivel compartments or tray inwards.
- Accessories projecting beyond either side of the unit must be removed or folded in.
- Switch off heating systems and disconnect the mains plug.
- Disconnect gas supply hoses from central supply unit.
- Fit optional bed canopy to protect patient from draughts.

Immediately after transport:

- Plug in the mains plug and switch on the heating systems.

## Testing Readiness for Operation

### Before using for the first time

- Check that the mains voltage matches the values indicated on the rating plate next to the power cable.

### Before each use

- Check that the unit has been cleaned.
- Check that the side panels are locked securely into place.
- Check that the side panels are free from cracks and sharp edges.
- Check that the correct mattress is in the cot;  
Only operate mattress heater with gel mattress supplied.
- Check that the bed tilts properly and locks securely into position.
- Check that the required accessories and therapy equipment are available and in proper working order.
- Check that the gas supply is available and sufficient for the accessories and equipment to be used.
- Check that the cables and hoses are correctly and securely installed.  
Never route cables or hoses over the panels because they might be pinched or crushed when folding up the panels or fitting the bed canopy.
- Check that the therapy equipment used is ready for operation:  
Chapter "Heat therapy/Phototherapy", see page 15  
Chapter "Oxygen therapy", see page 27  
Chapter "Using phototherapy (optional)", see page 28

## Operation

### Precautions

#### Patient care

##### WARNING

Never leave the patient unattended when the side panels are down, as the infant can fall out.

When handling the side panels and bed canopy, take care not to pinch any parts of the patient's body or any hoses or other articles, e.g. bedding.

Ensure that the side panels are securely engaged, the panel hardware should be visible above the surface of the bed.

The inner panels should be used with all patients, whether the side panels are open or closed.

With lively infants and/or older children, the 230 mm high side panels should be used.

Observe these infants and/or children particularly closely at all times.

#### Heat therapy/Phototherapy

##### WARNING

Monitor the patient's core temperature regularly using a separate thermometer!

Adjust the temperature settings to the needs of the patient. Watch out for exposure to sunlight.

##### NOTE

Increased heat is directed to the patient when the heated gel mattress, radiant warmer and phototherapy are operated in combined mode. This should be taken into account when setting the heating system.

Follow the instructions for setting the two heating systems, separately and in combination (page 22 ff). Changes in ambient conditions, e.g. draughts, can influence the patient's temperature balance.

#### Mattress heater

##### WARNING

When mattress heating is in use, the gel mattress must be in place on the heated bed area. The gel mattress should only be used as a heating pad with the Dräger Babytherm 8000 WB. Do not use it with the Dräger Babytherm 4200 or other warming beds with heating plate temperatures over 40 °C – danger of burns.

Prevent contact with sharp objects, as these can damage the gel mattress.

Do not fold or kink the gel mattress.

To transport the gel mattress, roll it up.

Always observe the gel mattress warming-up time.

Wait for about 1 hour to allow the gel mattress to warm up before placing a patient in the Babytherm.

#### Radiant warmer

##### CAUTION

The use of a radiant warmer can cause an unnoticed increase in the patient's water loss.

##### CAUTION

When the bed is tilted, those parts of the patient's body that are closer to the radiant warmer will receive more heat.

The skin temperature of such body parts should be regularly monitored.

##### WARNING

Do not use any flammable cleaning agents or medication while the heater is in operation – fire hazard. Do not place medication or infusion solutions in the heated area.

#### Oxygen therapy

##### WARNING

The risks to the system are increased when oxygen is in use.

Avoid naked flame and lit cigarettes.

Textiles, plastics and oils are more easily ignited and burn with greater intensity in an oxygen-rich atmosphere.

Keep oxygen fittings and seals free of oil and grease.

Open the valves slowly.

Do not use Babytherm in the presence of flammable anaesthetic gases or disinfectants.

Do not use or store flammable liquids such as alcohol, ether or acetone in the Babytherm.

Do not use electrical appliances underneath the Babytherm bed canopy, except for devices authorised and certified for operation in explosion-hazard areas.

#### Physiological dangers of oxygen

##### CAUTION

Only enrich the oxygen concentration under the instructions of a doctor and only in accordance with the arterially measured oxygen partial pressure in the patient's blood.

Otherwise, there is a danger of hyperoxaemia (which may damage a baby's eyes) or hypoxaemia (which may cause damage to the baby's brain). During oxygen therapy, the oxygen concentration must be constantly monitored, e.g. with MiniOx 3000.

## Bed canopy

The infant's core temperature should be monitored when the bed canopy is in use

### WARNING

When the bed canopy is in place, the side panels can be folded down. Do not leave the Babytherm unattended with the side panels open, as the infant can fall out.

### CAUTION

The effect of the radiant warmer is reduced when the bed canopy is in use. The patient's core temperature should be monitored in order to prevent adverse effects on the temperature balance.

### CAUTION

When using external phototherapy, remember the maximum load on the bed canopy is 11 kg (24.3 lbs). Greater loads may cause damage to the bed canopy.

### NOTE

Use of the bed canopy in conjunction with operation of the integrated phototherapy system leads to a significant reduction in the bilirubin-effective radiant intensity and a very uneven distribution of the radiation on the bed.

### NOTE

Higher side panels (230 mm) are recommended when using the bed canopy.

### NOTE

The bed canopy should not be used as a convenient place to lay objects, clothing, etc.



## Heat therapy

Two heating systems are available for keeping patients warm and if necessary for warming up or cooling down patients:

- Mattress heater  
"Operation", see page 15.
- Radiant warmer with extra mobile stand (accessory).  
Follow the specific instructions for use.

## Mattress heating

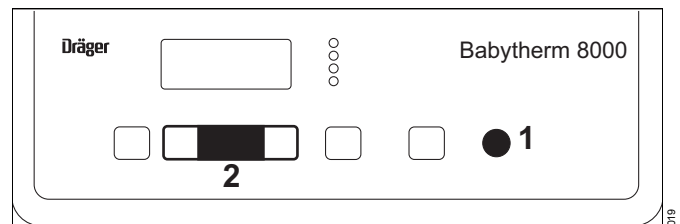
### Checking readiness for use



#### Before each use

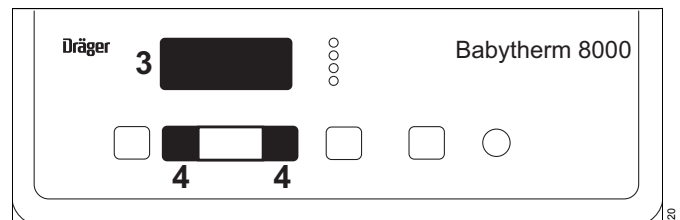
- Check that the gel mattress has been cleaned and is in perfect condition.
- Lay gel mattress flat on the aluminium heating plate.
- Connect mains power.

### Switching on and running self-test

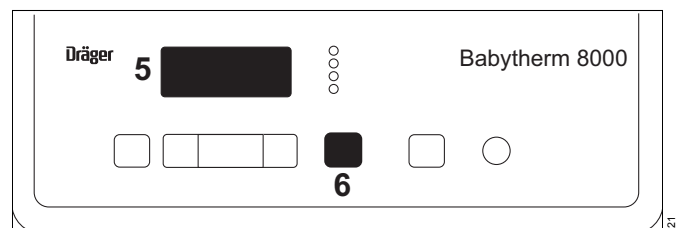
- 1 Press main switch until it engages = ON.  
The microprocessor checks the function of the device as part of the self-test.
- All the LEDs light up; the digital display reads »88.8« and an audible alarm sounds.
- 2 After approximately 2 seconds the device flashes to propose a temperature setting of 37.0 °C.




- 3 The display alternates cyclically between the letters »SEt« and the measured temperature value.
- 4 Press  or  key briefly to accept the temperature setting and
- 3 the display continuously shows the measured value = measured mattress temperature value.

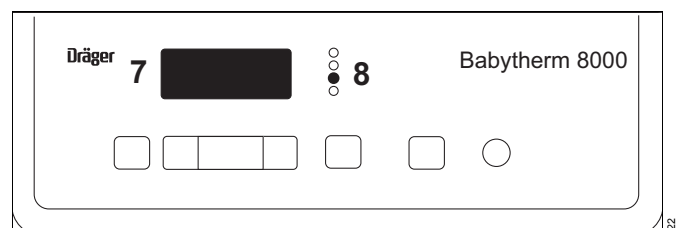


- 5 If »Acc« is displayed alternately with the measured temperature value and at the same time an intermittent alarm sounds, this indicates that **the power failure alarm battery is insufficiently charged**.  
After approximately 30 minutes operation, the battery will be charged up. The display continuously shows the measured temperature value and the intermittent alarm is switched off.




To mute the intermittent alarm:

- 6 Press  key. The yellow LED lights up.  
The intermittent alarm can be muted for 15 minutes.
- 7 Display »Err« alternating with the measured temperature and
- 8 red LED **Inop** lit – **device malfunction**, see "Troubleshooting" on page 34.



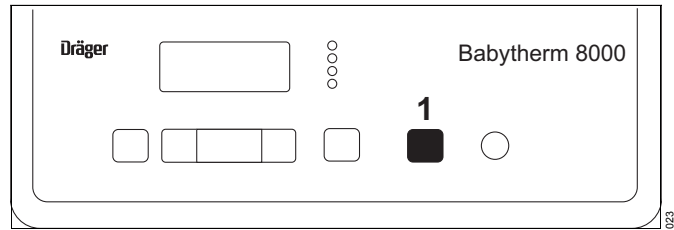
### Testing the LEDs, displays and audible alarm

- 1 Press  key.  
for approximately 2 seconds – all the LEDs light up;  
the digital display reads »88.8« and an audible alarm sounds.


After that the displays and LEDs are dark and the audible alarm is switched off. After approximately 2 seconds the temperature is displayed again.

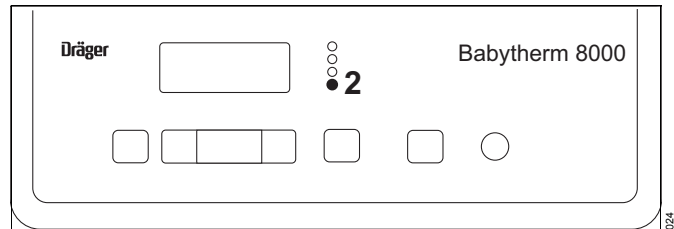
The function test can also be run while the device is operating.

- Check at least once a day.



### Testing the power failure alarm

- Disconnect mains plug.
- 2 Red LED  lights up, continuous alarm sounds.
  - Reconnect mains plug.  
The device carries on operating with the values set before the power failure alarm.



### Operation

- Heat the mattress to 37 °C. Allow a warming-up time of around 1 hour.  
During the warming-up stage and when in standby mode, the gel mattress should be covered with a blanket.
- Cover the gel mattress with a sheet before placing a patient on it.

If a radiant warmer is not in use:

- Cover the patient with a blanket.



### WARNING

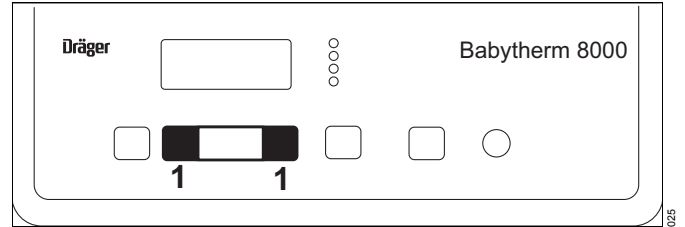
**An unheated gel mattress will cool the patient down.**

### Setting the temperature

The set temperature can be adjusted in increments of 0.1 °C.

To set a temperature within **the normal range of 35 °C to 37 °C**:

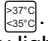


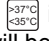
- 1 Hold down  or  key until the desired setting is displayed.

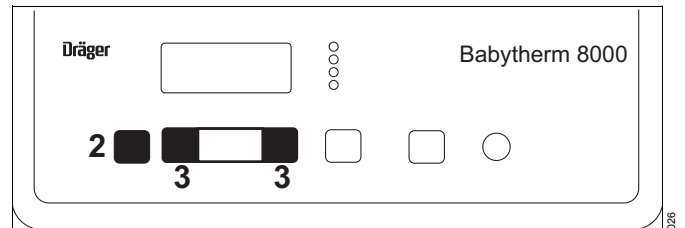


To set a temperature **outside** the normal range:

- Extended lower limit: **30 °C to 35 °C**,
- Extended upper limit: **37 °C to 38.5 °C**.

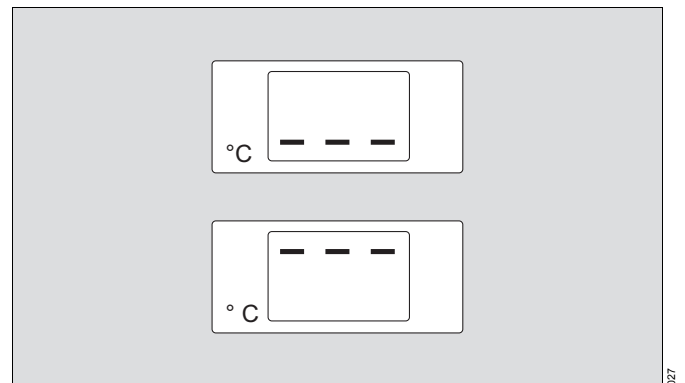
Only use low temperatures if prescribed by doctor.  
Monitor patient very closely.

- 2 Press unlocking key . yellow LED in the key lights up.
  - 3 Hold down  or  key until the desired setting is displayed.
- The setting over 37 °C or under 35 °C should be set within 1 minute. Otherwise the LED in the key  is extinguished. The extended setting range will be locked again.



If the temperature is outside the measuring range of 5 °C to 45 °C:

- 3 dashes at the **bottom** of the display = temperature below 5 °C,
- 3 dashes at the **top** of the display = temperature above 45 °C.
- See chapter "Troubleshooting", page 34.

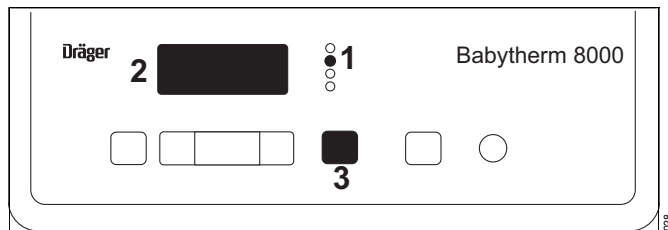


## Alarms


### Deviation from set temperature

If the deviation between the set and measured mattress temperature is greater than  $\pm 1$  °C:

- 1 The red LED  $\pm 1$  °C starts flashing,
  - an intermittent alarm sounds and
- 2 the display flashes.




The intermittent alarm can be muted for 15 minutes:

- 3 Press  key. The yellow LED in the key lights up,
- 1 the red LED is lit continuously.

When the measured mattress temperature returns to within  $\pm 1$  °C of the set value:

- The red LED  $\pm 1$  °C goes out and the intermittent alarm is switched off.

After initially switching on the mattress heater:

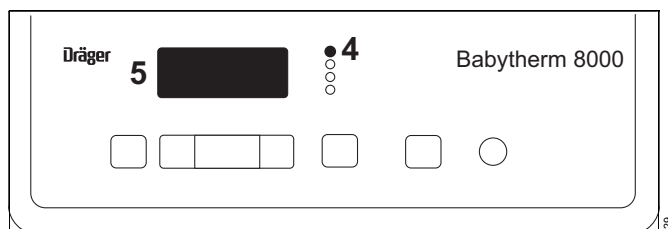
- the audible alarm is suppressed for one hour (warming-up phase).
- 1 Red LED  $\pm 1$  °C lights up.
  - 3 Yellow LED in the  key lights up.

### 40 °C alarm

- 4 Red LED 40 °C flashes and a continuous alarm sounds.
- 5 The display flashes.

The continuous alarm cannot be suppressed.

The alarm will stop automatically as soon as the mattress temperature drops to the normal setting.



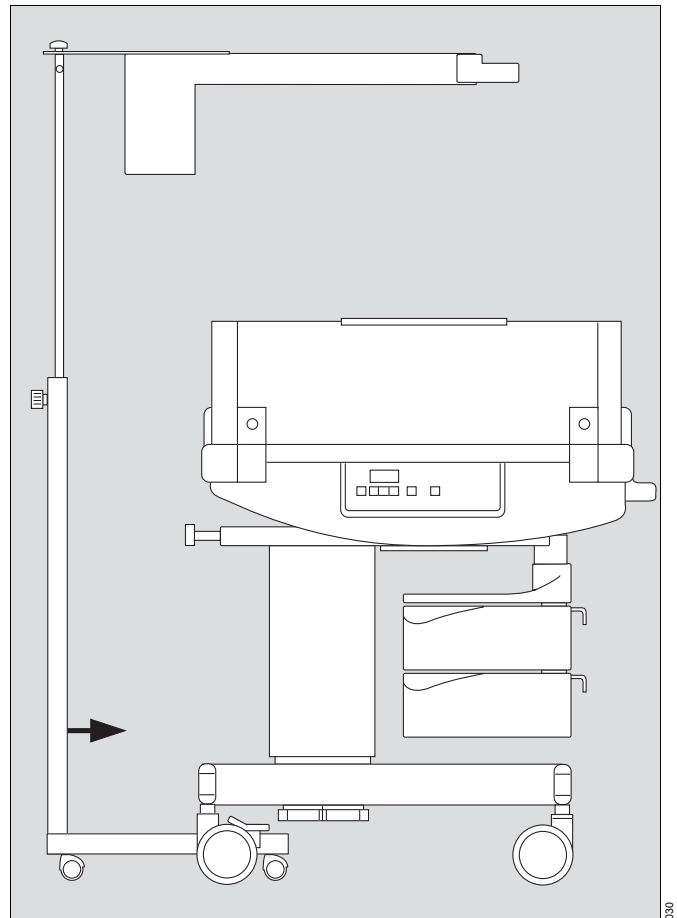
## Shutting down

Only for care purposes, when changing over patients.

- Press main power switch all the way home = OFF, then
  - disconnect mains plug.
- It is important to proceed in this order, as otherwise the power failure alarm is activated.

### Radiant warmer

- Slide the radiant warmer mobile stand underneath the Babytherm 8000 WB.
- Follow the instructions for use of the radiant warmer. "Recommended heater settings", page 22.



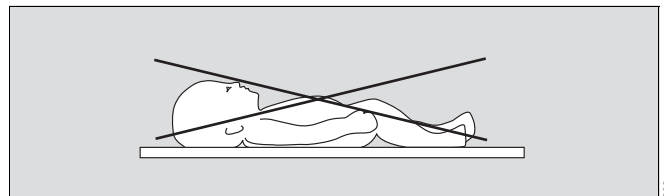
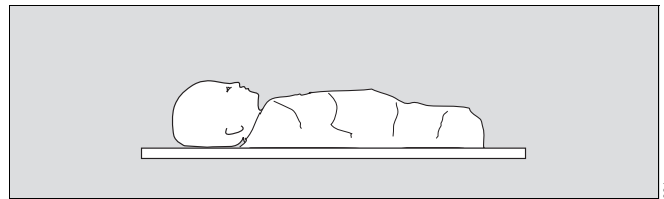
## Recommended heater settings

Instructions for using and setting the mattress heater and radiant warmer, alone or in combination.

### Using the mattress heater with a gel mattress without using the radiant warmer.

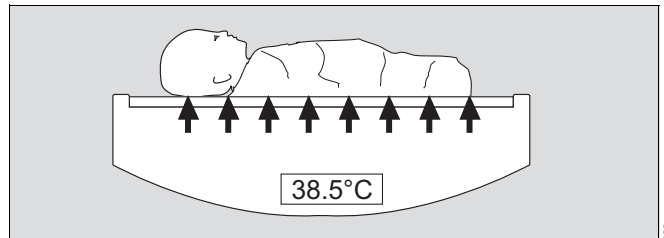
**Always monitor the core temperature and adjust the temperature setting to meet the needs of the patient.**

- Always cover and/or clothe the patient.  
**Do not place blankets or other insulating material under the patient, since they obstruct heat transfer to and from the bed (warming/cooling).**



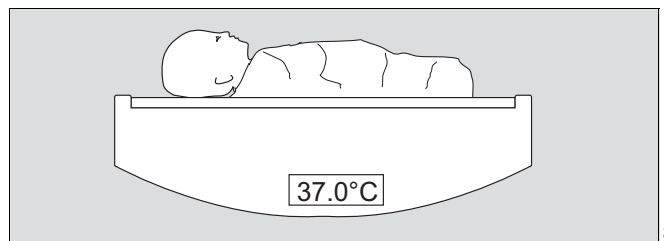
To warm the patient:

- Set the temperature to e.g. 38.5 °C.



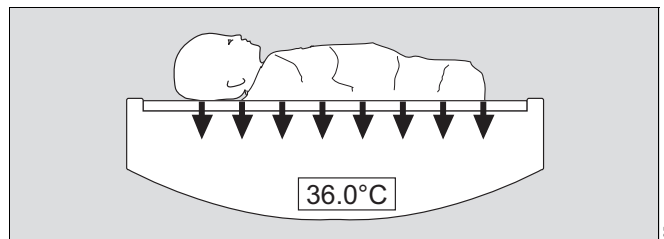
To neither warm nor cool the patient:

- Set the temperature to 36 °C to 37 °C.



To cool the patient:

- Set the temperature to e.g. 36 °C or lower.

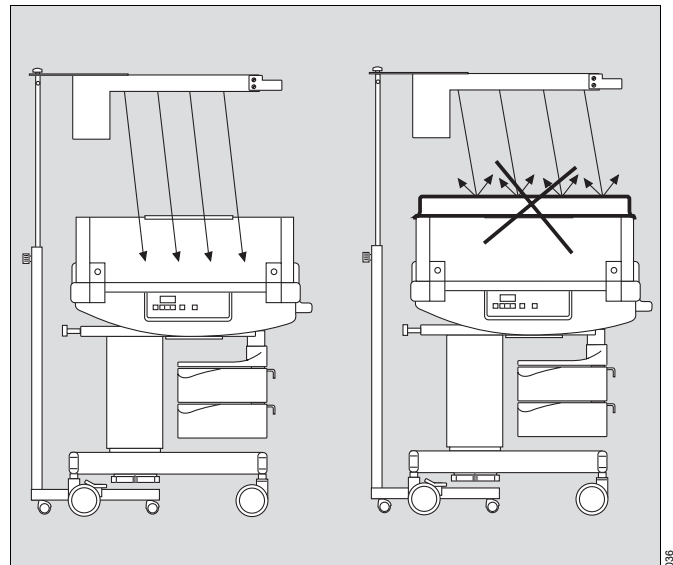


**Using radiant warmer only**

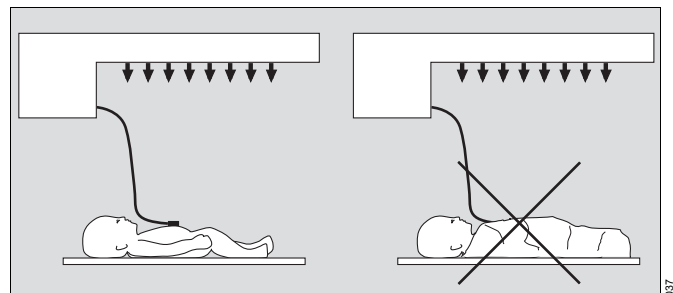
**Always monitor the core temperature and adjust the temperature setting to meet the needs of the patient.**

**WARNING**  
**Observe the minimum distance (70 cm) between the underside of the radiant warmer and the bed surface.**  
**Risk of patient overheating.**

- **The radiant warmer is less effective when the bed canopy is used.**  
 (The acrylic glass bed canopy provides only limited permeability to the infrared radiation of the radiant warmer.)



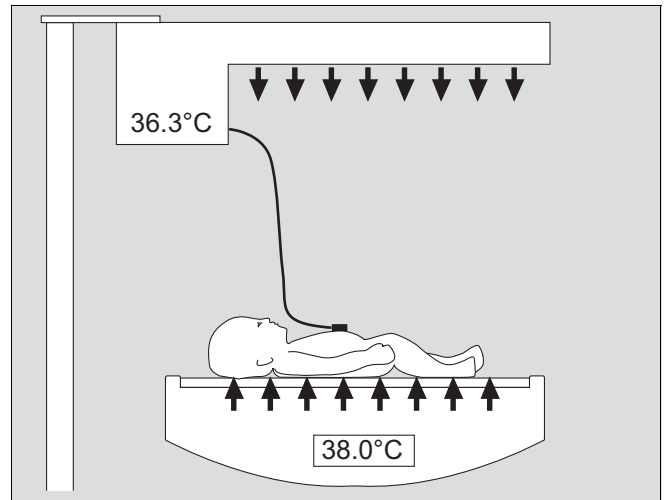
- Do not cover or clothe the patient.



**Using the radiant warmer in combination with mattress heater and gel mattress**

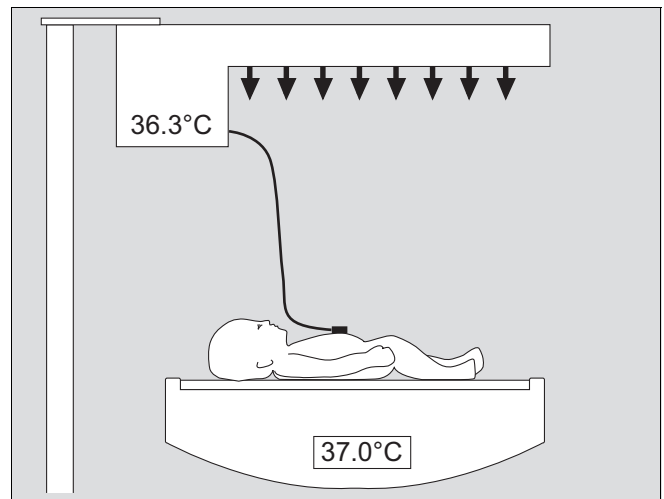
To provide heat from above in addition to the mattress heater:

- Set the mattress heater temperature e.g. to 38 °C and
- set the skin temperature setting on the radiant warmer e.g. to 36.3 °C.



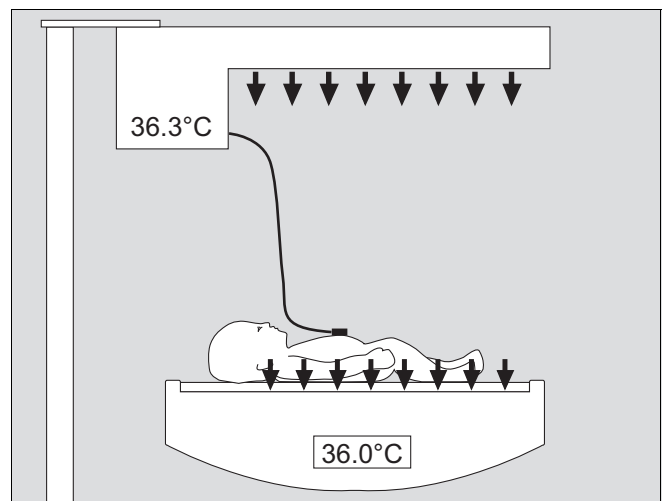
No heat transfer to or from the patient from below:

- Set the mattress heater temperature to 36 °C to 37 °C and
- set the skin temperature setting on the radiant warmer e.g. to 36.3 °C.



To cool the patient from below:

- Set the mattress heater temperature e.g. to 36 °C or lower and
- set the skin temperature setting on the radiant warmer e.g. to 36.3 °C.





## Using the bed canopy

The infant's core temperature should be monitored when the bed canopy is in use.

### WARNING

When the bed canopy is in place, the side panels can be folded down. Do not leave the Babytherm unattended with the side panels open, as the infant can fall out.

### CAUTION

The radiant warmer is less effective when the bed canopy is used. The patient's core temperature should be monitored in order to prevent adverse effects on the temperature balance.

### CAUTION

When using external phototherapy, remember the maximum load on the bed canopy is 11 kg (24.3 lbs). Greater loads may cause damage to the bed canopy.

### NOTE

Use of the bed canopy in conjunction with operation of the integrated phototherapy system leads to a significant reduction in the bilirubin-effective radiant intensity and a very uneven distribution of the radiation on the bed.

### NOTE

Higher side panels (230 mm) are recommended when using the bed canopy.

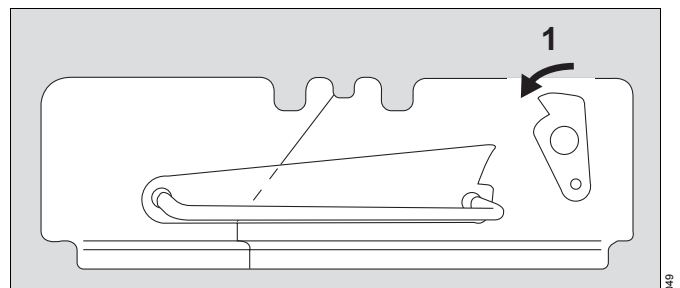
### NOTE

The bed canopy should not be used as a convenient place to lay objects, clothing, etc.

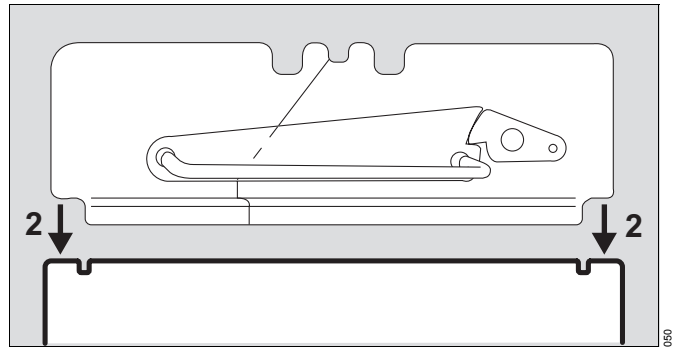
## Installing the bed canopy

Check whether the bed canopy is in the closed position; otherwise:

- 1 Close bed canopy = turn lock until it engages.

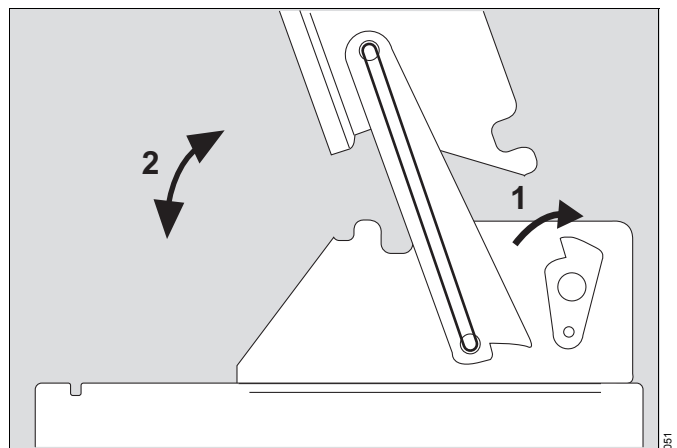


- 2 Hold bed canopy handles with both hands and place over the side panels.



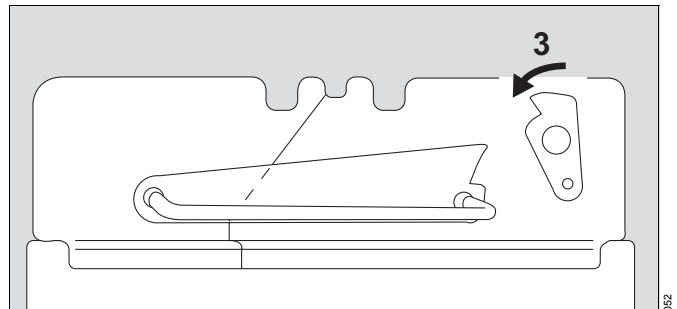
### Opening/closing the bed canopy

- 1 Unlock bed canopy = turn lock.
- 2 Open bed canopy = swivel handles upwards until they engage. The infant is now accessible for care/medical treatment.
- 2 Close bed canopy = swivel handles forwards.

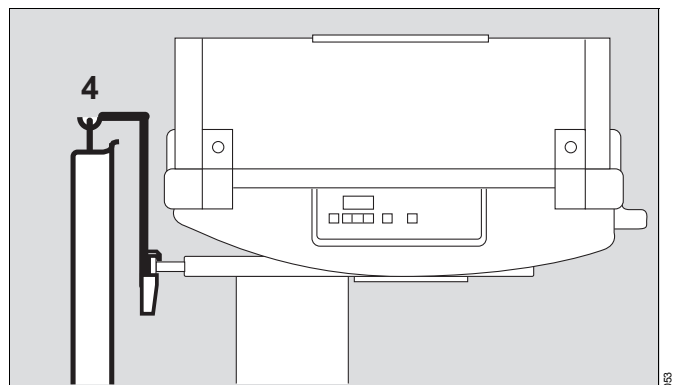


### Removing the bed canopy

- 3 Put bed canopy in closed position = turn lock until it engages.
- Remove bed canopy by holding the handles with both hands (follow instructions on the bed canopy).



- 4 Hang bed canopy from the bracket.



## Oxygen therapy

### CAUTION

Only enrich the oxygen concentration under the instructions of a doctor and only in accordance with the arterially measured oxygen partial pressure in the patient's blood. Otherwise, there is a danger of hyperoxaemia (which may damage a baby's eyes) or hypoxaemia (which may cause damage to the baby's brain).

During oxygen therapy, monitor the oxygen concentration, e.g. with MiniOx 3000.

### Increased noise level

Patients may suffer excessive stress when compressed gas is administered using a hood.

### Administering oxygen using the injector

(in the whole interior space)

- Place canopy in position (see page 25).
- 1 Set O<sub>2</sub> concentration on the injector: 30, 40, 50 Vol.% O<sub>2</sub>.
- Set O<sub>2</sub> supply on O<sub>2</sub> flowmeter.

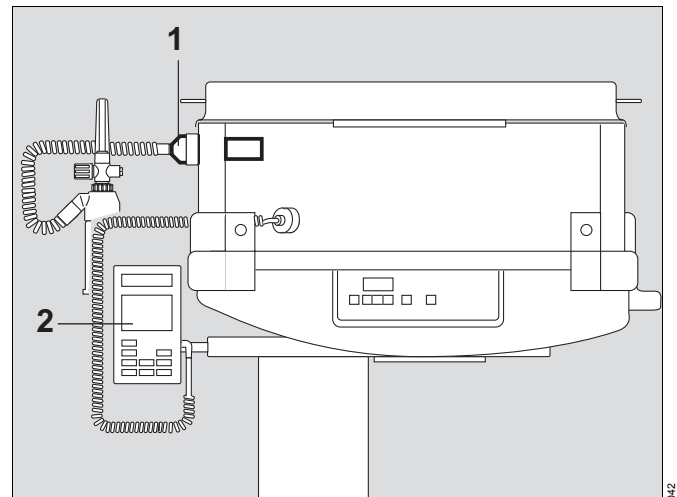
### Recommended settings

Injector setting	Vol.% O <sub>2</sub>	30	40	50
O <sub>2</sub> supply	L/min	5	10	15

- 2 Monitor the O<sub>2</sub> concentration, e.g. with MiniOx 3000.

### After use

- Open the bed canopy.
- Close the flow valve on the O<sub>2</sub> flowmeter = turn clockwise.
- Dismantle and service the oxygen therapy equipment, page 31.

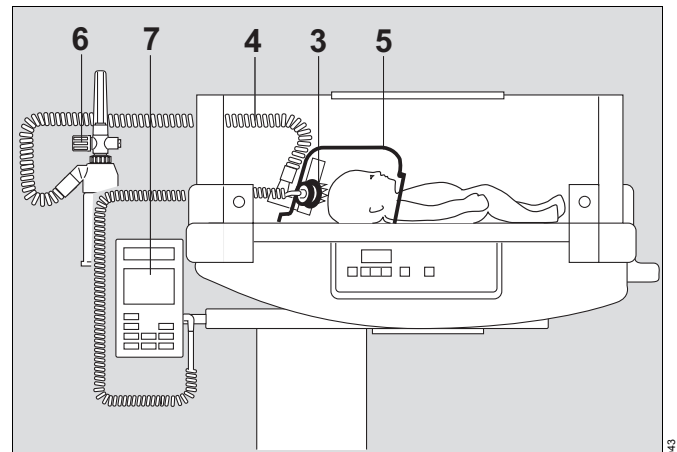


### Administering oxygen using the hood

- 3 Place the O<sub>2</sub> monitor sensor with the adapter ring in the star-shaped cuff cut-out. Plug the connector into the measuring device.
- 4 Connect the hose to the hood.
- Lay the patient on his/her back.
- 5 Place the hood over the patient's head. The lower edge must rest on the mattress. Do not seal the collar area.
- 6 Set the O<sub>2</sub> supply at the metering valve: 0.5 to 4 L/min.
- 7 Monitor the O<sub>2</sub> concentration, e.g. with MiniOx 3000.

### After use

- Remove the hood from the patient.
- Close the flow valve on the O<sub>2</sub> flowmeter = turn clockwise.
- Dismantle and service the oxygen therapy equipment, page 31.



## Using phototherapy (optional)

### WARNING

Only use the phototherapy lamps indicated, see "Technical Data", page 37. Using lights of other types can affect the safety and effectiveness of the phototherapy.

### WARNING

Always use patient eye protection when using phototherapy. Keep a constant check that the eye protection is correctly positioned.

### WARNING

Always monitor the differential diagnosis for the neonate to ensure that no life-saving measure is delayed.

### WARNING

The patient's bilirubin levels must be measured regularly. Beware of possible toxic effects due to bilirubin photoisomers.

### WARNING

Phototherapy can upset the patient's water balance.

### WARNING

Dangerous body temperatures can occur when using reflective foil.

### CAUTION

Direct eye contact with the radiation source for an extended period when in use should be avoided.

### CAUTION

Protect patients in the immediate vicinity of the phototherapy device from the radiation emitted, e.g. by using goggles and shields.

### CAUTION

Users should avoid remaining for an extended time in the area of the radiation. Risk of sunburn.

### NOTE

Use of the bed canopy in conjunction with operation of the integrated phototherapy system leads to a significant reduction in the bilirubin-effective radiant intensity and a very uneven distribution of the radiation on the bed.

In manual mode, reduce the heat output of the radiant warmer. The phototherapy light directs additional warmth to the patient.

### CAUTION

Monitor the patient's core temperature regularly using a separate thermometer.

- Swing the radiant warmer over the patient. Position the phototherapy lights vertically above the patient, as otherwise the effect of the phototherapy will be diminished.

### NOTE

Follow the instructions for use of the phototherapy unit.

**Use on a stand**

**WARNING**  
**Minimum distance between lower edge of the phototherapy device and the patient = 30 cm. Risk of patient overheating.**

- Slide the stand underneath the trolley of the Babytherm 8000 WB.

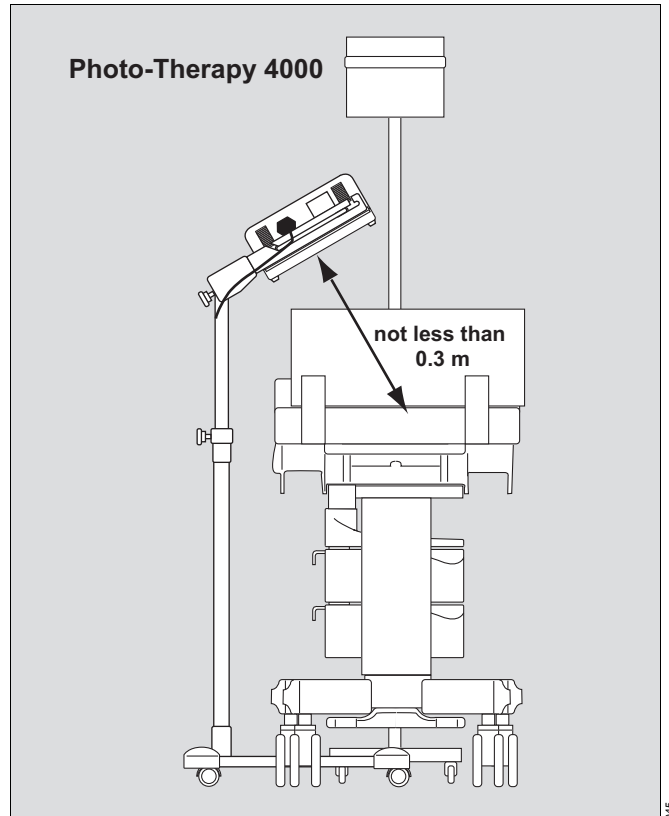
When using a radiant warmer at the same time:

- Slide the mobile radiant warmer underneath the trolley of the Babytherm 8000 WB.
- Position the housing so that the patient receives the radiant heat directly.

When using the radiant warmer in the »man.« mode:

- Reduce the radiant warmer output level by about 3 increments compared to operation without phototherapy.

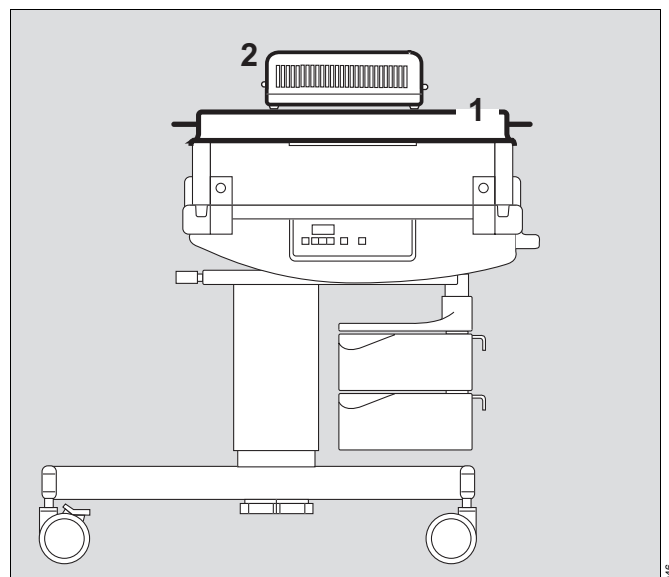
The phototherapy light directs additional warmth to the patient.  
**Monitor the patient's core temperature regularly.**



**Use without a stand**

- Place the 230 mm high side panels in position.
- 1 Place canopy in position (see page 25).
  - 2 Place Photo-Therapy 4000 on the canopy.

**Monitor the patient's core temperature regularly.**



## Bronchial aspiration

### NOTE

Use bronchial aspirator in accordance with its specific instructions for use.

## Taking X-rays

- Place the X-ray film cartridge directly underneath the patient.
- Position the X-ray machine above the Babytherm 8000 WB.

If a radiant warmer is in use at the same time:

- Swivel the radiant warmer to one side.
- After taking the X-ray, swivel the radiant warmer back into position to avoid chilling the patient.

## Care

### WARNING

To avoid risks to hospital staff and other patients, disinfect and clean the device after use. When disinfecting contaminated parts, follow the hospital hygiene regulations (protective clothing, eye protection, etc.)

The Babytherm 8000 WB infant warmer system must be thoroughly cleaned and disinfected

- after each change of patient
- at least once a week.

Clean and disinfect all accessories, e.g. bronchial aspirator, in accordance with their specific Instructions for Use.

### Dismantling

- Switch off the device(s). Disconnect the power plug(s) from the mains and switch off all compressed gas supplies used.
- Remove any ancillary equipment installed.
- Remove the gel mattress from the bed. Always store the gel mattress flat.
- Remove the ventilation hose clips.
- Remove the silicone grommets.

### Disinfecting/Cleaning/Sterilising

#### CAUTION

Do not allow any liquids to get inside the device or on the radiator, the device may become damaged.

**Bed frame, inside and outside;**  
**Side panels, inside and outside;**  
**Inside panels, inside and outside;**  
**Bed surface;**  
**Gel mattress;**  
**Bed canopy;**  
**Trolley, including all attachments:**

- Wipe off visible soiling with a disposable cloth wrung out in a detergent.
- Disinfect surfaces by wiping with disinfectant.
- After waiting the prescribed time for the disinfectant to act, wipe with a clean damp cloth and dry.
- **Do not wash the gel mattress in a washing machine. Do not autoclave.**

#### Silicone grommets:

- Wash with a detergent and rinse with clean water.
- Disinfect components in a disinfectant bath. After immersing for the prescribed time, rinse with clean water and dry; or
- sterilise at 120 °C (glove programme).

#### Gel mattress:

- We recommend wipe disinfecting the gel mattress with Incidin Extra (Henkel, Düsseldorf).

Do not expose the Babytherm 8000 WB to UV radiation. Cracks may be caused in the acrylic glass components.

Only use recommended cleaning agents and disinfectants, otherwise there is a possibility of causing cracks in the acrylic glass and macrolon, e.g. if alcohol is used. Use only preparations classified as "surface disinfectants" for disinfecting. For material compatibility, we recommend preparations based on

- aldehydes,
- quaternary ammonium compounds.

Because of the risk of damage to materials, the following preparations are unsuitable:

- halogen-releasing compounds,
- strong organic acids,
- oxygen-releasing compounds.

The manufacturer's recommendation should always be followed when choosing the product. The manufacturer is liable for the data concerning suitable applications for the products and any damage to property.

**Do not use disinfectants or cleaning products that contain alcohol.**

For users in the Federal Republic of Germany, we recommend the use of disinfectants listed in the current DGHM list (DGHM = German Society for Hygiene and Microbiology). The DGHM list (published by mhp-Verlag GmbH, Wiesbaden) also specifies the active basis of each disinfectant. For countries where the DGHM list is unavailable, the above recommendations apply.

For example, the following wipe-disinfectants may be used:

Bacillotox	Bode, Hamburg
Incidur	Henkel Hygiene GmbH, Düsseldorf
Sekusept powder	Henkel Hygiene GmbH, Düsseldorf

Follow the Instructions for Use provided by the disinfectant manufacturer.

**NOTE**

Even reusable accessories (e.g. after being prepared) have a limited service life. Wear may be increased and service life reduced considerably by various factors when handling and preparing them (e. g. disinfectant residues may corrode materials when they are autoclaved). These parts must be replaced if signs of wear become visible, such as cracks, deformation, discoloration, peeling, etc.

**Before next use**

- Reassemble components.
- After wipe-disinfecting, operate the fully assembled unit for a few hours without a patient to eliminate any disinfectant residues.  
(Mattress heater temperature setting = 37 °C)

Before a patient is next placed in the unit:

- Fit all therapy accessories required, page 8.
- Check that the unit is ready for operation, page 14.



## Maintenance Intervals

**Always disinfect and clean the unit and accessories before any maintenance\* – even when returning the unit to the supplier for repairs.**

### CAUTION

Always disconnect power supply before any maintenance!

**Use only Dräger original parts for maintenance.**

Gel mattress	Patch over small cuts or other damage in the covering film with adhesive tape. Use the gel mattress repair kit. Replace the gel mattress if the material becomes brittle or large cracks appear, or after no more than two years.
Silicone grommets	Replace as soon as the material becomes brittle and/or sticky.
Inspection and maintenance	Yearly by trained service personnel.

## Disposing of the Unit

At the end of its service life:

- Dispose of the device in accordance with national waste disposal regulations,
- or
- ask a suitable disposal contractor to dispose of the unit.

The local environmental agency can supply further details.

### For countries subject to EU-Directive 2002/96/EC:



This device is subject to EU-Directive 2002/96/EC (WEEE).

It is not registered for use in private households, and may not be disposed of at municipal collection points for waste electrical and electronic equipment.



Dräger Medical has authorized a firm to dispose of this device in the proper manner: for more detailed information, please contact your local Dräger Medical organization.

\* Definitions:

Inspection = examination of actual condition  
 Service = measures to maintain specified condition  
 Repair = measures to restore specified condition  
 Maintenance = inspection, service, repair

## Troubleshooting

### Mattress heating

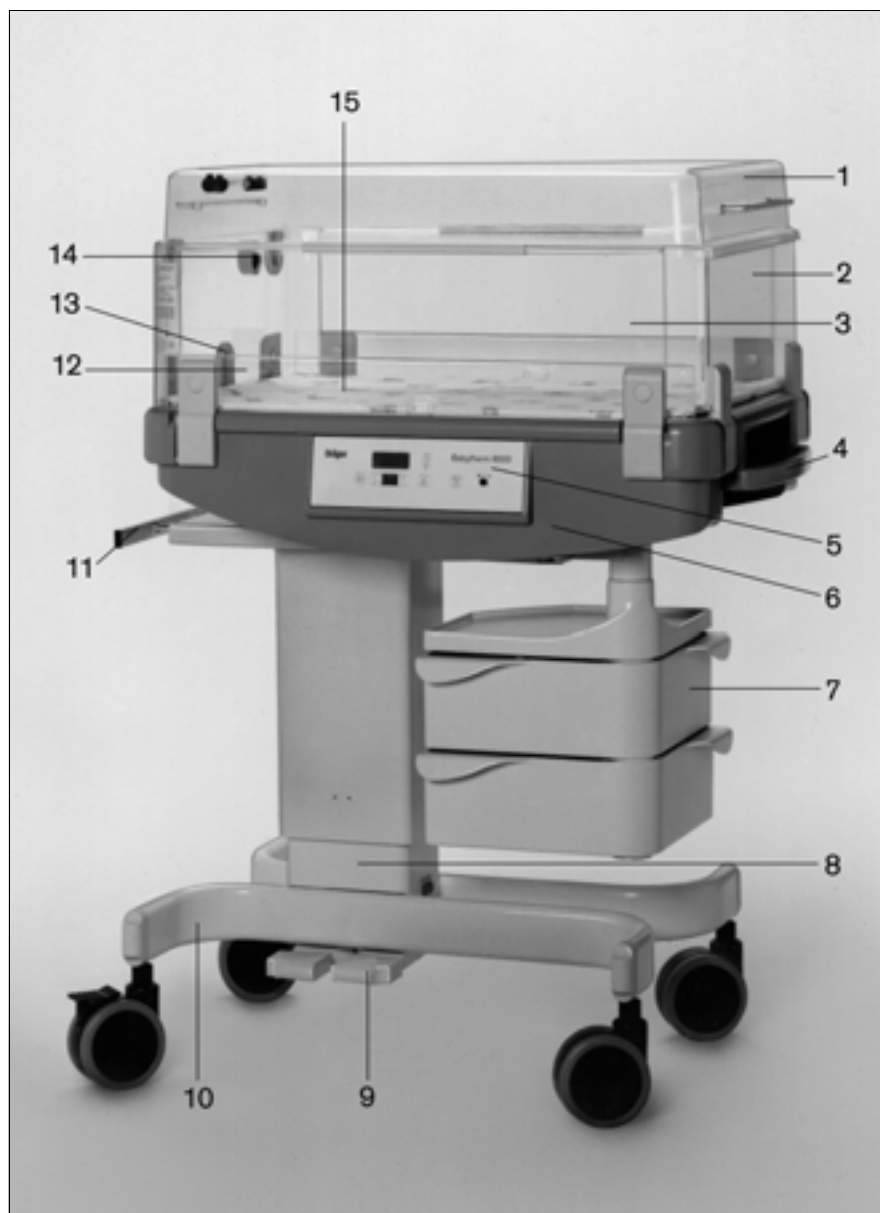
Message	Cause	Remedy
Red LED $\pm 1$ °C flashing, measured value display flashing, intermittent alarm on.	Measured value deviates from set value by more than $\pm 1$ °C.	When using in combination with a radiant warmer: Reduce the output level of the radiant warmer.
Red LED 40 °C flashing, measured value display flashing, continuous alarm on.	Mattress temperature above 40 °C	When using in combination with a radiant warmer: Reduce the output level of the radiant warmer.
Red LED  lights up, continuous alarm on.	Power failure	Check that unit is plugged into the mains socket. Check that the mains socket is switched on. Call DrägerService.
Red LED <b>Inop</b> lit. The measured value display shows » <b>Err</b> « alternately with the measured value. The error code is flashing in the setting display. Continuous alarm sounds.	Malfunction	Call DrägerService.
The three middle segments of the measured value display are flashing.	Temperature sensors defective.	Call DrägerService.
The measured value display shows » <b>Acc</b> « alternately with the measured value. Intermittent alarm on.	Power failure alarm battery is insufficiently charged.	Operate unit for 30 minutes, press  key to mute alarm for 15 minutes.
Measured value display shows: Three dashes at bottom	Mattress temperature is under 5 °C	Wait until mattress temperature is above 5 °C
Three dashes at top	Mattress temperature is above 45 °C	Wait until mattress temperature is under 45 °C

### Height adjustment (optional)

Message	Cause	Remedy
Height adjustment inoperative.	Motor overheat switch has tripped.	Allow to cool for about 15 minutes.

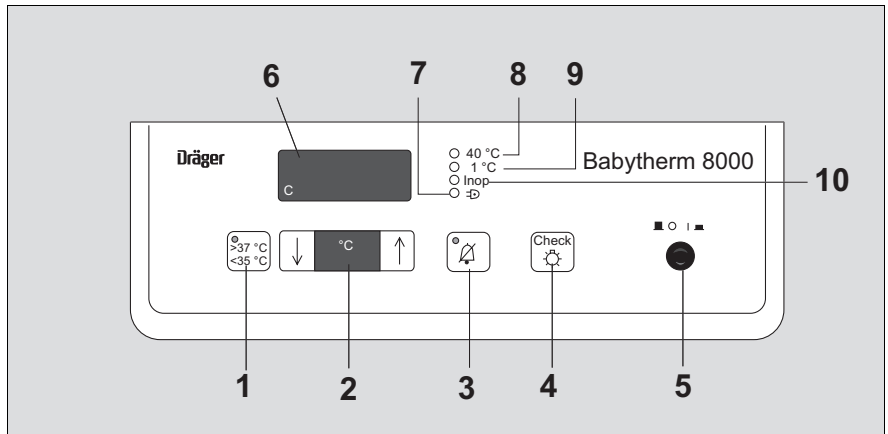
## What's what

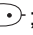
### Complete unit



- |  |   |
|--|---|
| <b>1</b> Bed canopy  | <b>9</b> Foot controls for variable height adjustment |
| <b>2</b> End panel   | <b>10</b> Chassis with 4 castors, lockable            |
| <b>3</b> Side panel  | <b>11</b> Accessory rail                              |
| <b>4</b> Handle with inner release bar for tilting the bed | <b>12</b> Inner panels, set of 2                      |
| <b>5</b> Mattress heater control panel                     | <b>13</b> Silicone grommets                           |
| <b>6</b> Bed assembly                                      | <b>14</b> O <sub>2</sub> injector holder              |
| <b>7</b> Swivel cabinet (optional)                         | <b>15</b> Gel mattress with mattress cover            |
| <b>8</b> Column (optional with variable height adjustment) |   |

## Mattress heater control panel



- 1 Pushbutton for extending the setting range;  
downwards: 30 °C to 35 °C,  
upwards: 37 °C to 38.5 °C.
- 2 Display of set mattress temperature;  
on the left: key for reducing the setting,  
on the right: key for increasing the setting.
- 3 Pushbutton for muting the intermittent alarm for  
15 minutes; the yellow LED remains lit while the  
alarm is muted.
- 4 Pushbutton for testing LEDs, displays and audible alarm.
- 5 On/off switch.
- 6 Measured mattress temperature display.
- 7 Red LED ;  
lit following a power failure.
- 8 Red LED **40 °C**;  
flashes if the measured value is above 40 °C.
- 9 Red LED **±1 °C**;  
flashes if the measured mattress temperature deviates  
from set value by more than ±1 °C.
- 10 Red LED **Inop**;  
indicates device malfunction.

## Technical Data

### Ambient conditions

For operation

Temperature	20 °C (68 °F) to 30 °C (86 °F)
Atmospheric pressure	900 hPa to 1100 hPa
rel. humidity	0 to 90 %, no condensation

For storage/transport

Temperature	-20 °C (-4 °F) to 60 °C (140 °F)
Atmospheric pressure	900 hPa to 1100 hPa
rel. humidity	0 to 90 %, no condensation

### Mattress heater

Temperature measurement

Measuring range	5 °C (41 °F) to 45 °C (113 °F)
Accuracy	±0.5 °C between 20 °C (68 °F) and 42 °C (107.6 °F) ±2 °C in all other parts of range
Setting range	30 °C (86 °F) to 38.5 °C (101.3 °F)

### Height adjustment (optional)

Height adjustment range	295 mm (11.6 inches)
Specified operation	Intermittent operation 1 min operation followed by 60 min cooling period

### Operating data

Mains voltage	100/120/127/230/240 V (to be specified on order) 50/60 Hz
---------------	--

Maximum power consumption

Mattress heater	160 W
Height adjustment (optional)	560 W

Fuses

Mattress heater

Range 100 V to 127 V	T 1.6 A L 250 V; IEC 127-2/III (2 units)
Range 230 V to 240 V	T 800 mA L 250 V; IEC 127-2/III (2 units)

Height adjustment (optional)

Range 100 V to 127 V	T 6.3 A L 250 V; IEC 127-2/III (2 units)
Range 230 V to 240 V	T 3.15 A L 250 V; IEC 127-2/III (2 units)

Electrical protection class

I

Heating surface of mattress

 Type BF

Standards

EN 60601-1  
EN 60601-2-35, for mattress heater

<b>Classification</b> (according to EC Directive 93/42/EC Appendix IX)	Class IIb
<b>UMDNS-Code</b> (Universal Medical Device Nomenclature System/ nomenclature for medical devices)	15-610
<b>Electromagnetic compatibility (EMC)</b>	according to EN 60601-1-2
<b>Dimensions</b>	
Length x width	945 x 620 mm (37.2 x 24.4 inches)
Overall height (with bed canopy)	
Unit without height adjustment	1295 mm (51 inches)
Unit with height adjustment	1230 mm (48.4 inches) to 1515 mm (59.6 inches)
Working height of bed surface	
without height adjustment	950 mm (37.4 inches)
with height adjustment	885 mm (34.8 inches) to 1180 mm (46.5 inches)
Bed dimensions	750 x 490 mm (29.5 x 19.3 inches)
Bed tilting	adjustable in small increments maximum of 20° front end down maximum of 15° front end up
Height of side panels	150 mm (5.9 inches) or 230 mm (9.1 inches)
Height of inner panels	70 mm (2.8 inches)
<b>Weight</b> (with cabinet and bed canopy)	
Unit without height adjustment	83 kg (183 lbs)
Unit with height adjustment	85 kg (187.4 lbs)

## Construction and Description

### Heated mattress

The heated mattress consists of the following components: gel mattress, aluminium heating plate and an electronic monitoring and control unit.

The gel mattress consists of a highly heat-conductive gel that does not run or not dislocate even when the bed is tilted. The gel is surrounded by a film of soft material compatible with the skin. The gel mattress moulds itself to the body contours of the patient lying on it, thereby providing a large contact surface that transfers warmth to the patient and avoids pressure points (bedsores).

When the gel mattress is cold, warmth is conducted from the patient to the mattress. The gel has good heat storage properties. If the mains supply is interrupted, e.g. for in-hospital transport, the patient will be kept warm for about 15 minutes, provided there is sufficient insulation (blanket, bed canopy).

The heating system consists of a 6 mm thick aluminium plate and a heater element below the plate.

This system ensures that heat is distributed evenly over the entire bed surface.

The control and monitoring unit is located below the heating system. The touch-sensitive keypad with the pushbuttons and displays is arranged for convenience of operation.

The mattress temperature is adjusted with reference to a set temperature entered by the user. The set temperature is only attained in the areas where the patient is in contact with the mattress.

System monitoring includes self-check routines and alarms.

## Order List

Name and Description	Part No.	Name and Description	Part No.
<b>Babytherm 8000 WB, 230 V</b> (with inner panels)	FR 00 050	Bronchial aspiration unit, vacuum up to 0.9 bar, with assembly kit for installation under the bed	2M 21 189
Variants to be specified with order		<b>DIN connecting hoses</b>	
– Set of side panels, height 230 mm or Set of side panels, height 150 mm		O <sub>2</sub> /air connecting hose 1.5 m	M 29 283
– Mattress heater with gel mattress		O <sub>2</sub> /air connecting hose 3 m	M 29 243
– Stand with variable height adjustment or stand with fixed column		O <sub>2</sub> /air connecting hose 5 m	M 29 263
Options:		Air connecting hose 5 m	M 29 259
– Swivel cabinet		Vacuum connecting hose 1.5 m	M 29 287
– Bed canopy		Vacuum connecting hose 3 m	M 29 247
		Vacuum connecting hose 5 m	M 29 267
<b>Options (for retrofitting)</b>		<b>NIST connecting hoses, colour neutral</b>	
Set of side panels, height 230 mm	2M 21 034	O <sub>2</sub> /air connecting hose 1.5 m	M 34 410
Set of side panels, height 150 mm	2M 21 032	O <sub>2</sub> /air connecting hose 3 m	M 34 411
Inner panel	2M 20 936	O <sub>2</sub> /air connecting hose 5 m	M 34 412
Swivel cabinet	2M 20 638	Air connecting hose 5 m	M 34 409
Cabinet fixing	2M 20 868	Vacuum connecting hose 1.5 m	M 34 413
		Vacuum connecting hose 3 m	M 34 414
<b>Accessories</b>		<b>For DIN/NIST conversion</b>	
Infusion bottle holder	2M 16 520	Fixed adapter O <sub>2</sub> /AIR NIST/DIN	M 32 493
Inner rail, additional for drainage bag	2M 21 150	Fixed adapter AIR NIST/DIN	M 32 495
Ventilation hose bracket	2M 21 191	Fixed adapter vacuum NIST/DIN	M 32 496
Shelf, 300 x 200 mm with rail clamp for standard rail	M 24 678		
Bed canopy	2M 30 392	<b>Phototherapy</b>	
Bed canopy bracket	2M 21 342	Photo-Therapy 4000, 230 V	2M 21 000
		Photo-Therapy 4000, 120 V	2M 21 700
<b>Therapy accessories</b>		Phototherapy unit stand	2M 21 190
<b>Bronchial aspiration</b>		<b>Oxygen therapy in interior space</b>	
Bronchial aspiration unit, complete, ejector up to 0.5 bar, with rail clamp	2M 85 045	Injector; 30, 40, 50 Vol.% O <sub>2</sub> selectable	2M 14 190
Bronchial aspiration unit, complete, ejector up to 0.9 bar, with rail clamp	2M 85 040	O <sub>2</sub> flowmeter, 0 to 16 L/min	2M 86 551
Bronchial aspiration unit, complete, vacuum up to 0.9 bar, with rail clamp	2M 85 041	Nebuliser	2M 85 835
Hose bracket	2M 85 239	Spiral hose, 1 m (set of 5)	2M 85 811
Bronchial aspiration unit, ejector up to 0.5 bar, with assembly kit for installation under the bed	2M 21 187		
Bronchial aspiration unit, ejector up to 0.9 bar, with assembly kit for installation under the bed	2M 21 188		



Name and Description	Part No.
<b>Oxygen therapy with hood</b>	
O2 hood	2M 19 250
O2 flowmeter, 0 to 16 L/min	2M 86 551
Nebuliser	2M 85 835
Spiral hose, 1 m (set of 5)	2M 85 811
<b>Oxygen measurement</b>	
MiniOx 3000, O2 monitor	2M 22 464
O2 meter holder	2M 22 460
O2 sensor MiniOx 3000	2M 22 461
<b>DIN connecting hoses</b>	
O2 connecting hose 1.5 m	M 29 271
O2 connecting hose 3 m	M 29 231
O2 connecting hose 5 m	M 29 251
<b>NIST connecting hoses, side neutral</b>	
O2 connecting hose 1.5 m	M 34 401
O2 connecting hose 3 m	M 34 402
O2 connecting hose 5 m	M 34 403
<b>Consumables</b>	
Gel mattress for use with mattress heater	2M 20 827
Gel mattress repair kit	2M 21 324
Silicone grommet	2M 20 434
<b>For bronchial aspiration</b>	
Aspiration hose 1.5 m	M 25 780
Secretion inspection window, set of 5	M 07 582
Bacterial filter CH 102, set of 5	67 23 976
Canister	M 20 091
Bottle cap with valve, plastic	2M 85 012

## Parts List

Instead of the part nos. shown in the Order List, the following parts or units no longer in the Dräger product range can be used:

<b>Name and Description</b>	<b>Part No.</b>
Canopy	2M 21 030
Oxydig, O <sub>2</sub> measuring device	83 04 411
Oxydig measuring device holder	2M 17 770
O <sub>2</sub> sensor capsule	68 50 645
Oxydig sensor housing	68 50 250

## Index

### A

Alarm	20
Ambient conditions	37

### B

Bed canopy	12, 16
Preparation	12
Using	25
Before each use	14
Before next use	32
Bronchial aspirator	8, 30

### C

Care	31
Cleaning	31
Construction and Description	39

### D

Disinfecting	31
Dismantling	31
Disposing of the Unit	33

### F

Fitting the inner panels	11
Fitting the panels	11
For Your Safety and that of Your Patients	4

### G

Gel mattress	12
--------------	----

### H

Heat therapy	17
Precautions	15
Recommended heater settings	22
Heated mattress	
Alarms	20
Operation	18

### I

Infusion	9
Infusion bottle holder	9
Injector	10
Intended Use	6

### M

Maintenance	4
Maintenance Intervals	33
Mattress heater	
and radiant warmer	24
Precautions	15
Mattress heating	
Checking readiness for use	17
Mattress, prepare	12

### O

O <sub>2</sub> monitor	10
Operation	15
Options	4, 40
Order List	40
Oxygen therapy	27
Precautions	15
Preparing accessories	9
with hood	27
with injector	27

### P

Parts List	42
Patient care, precautions	15
Phototherapy	28
Precautions	15
Precautions	15
Preparation	7

### R

Radiant warmer	21
and mattress heater	24
Precautions	15
Using	23
Recommended heater settings for heat therapy	22

### S

Safety inspections	4
Setting the temperature	19
Shutting down	20
Sterilising	31

### T

Technical Data	37
Testing Readiness for Operation	14
Therapy and nursing uses	6
Tilting the bed	13
Transport, in-hospital	13
Trolley	7
Troubleshooting	34

### U

Using for the first time	14
--------------------------	----

### V

Ventilation hose, fitting bracket	12
-----------------------------------	----

### W

Warming bed, preparation	11
What's what	35

### X

X-ray	30
-------	----

These Instructions for Use only apply to

**Babytherm 8000 WB (FR 00 050)**

with the Serial No.:

If no Serial No. has been filled in by Dräger, these Instructions for Use are provided for general information only and are not intended for use with any specific machine or device.

This document is provided for customer information only, and will not be updated or exchanged without customer request.



Directive 93/42/EEC  
concerning Medical Devices

**Dräger Medical GmbH**

🏠 Moislinger Allee 53 – 55  
D-23542 Lübeck  
Germany

☎ +49 451 8 82- 0

FAX +49 451 8 82- 20 80

🌐 <http://www.draeger.com>

Only for Canada

Distributed by

**Draeger Medical Canada Inc.**

🏠 120 East Beaver Creek Road Suite 104  
Richmond Hill Ontario L4B 4V1

☎ +1 866 343 2273 (Toll Free)

+1 905 530 2387

FAX +1 905 763 1890

90 28 521 - GA 6132.211 en

© Dräger Medical GmbH

Edition: 9 – 2010-11

Dräger reserves the right to make  
modifications to the equipment  
without prior notice.

