

PIR 7000/7200 [SL02449]



ORDER INFORMATION CONCERNING SPARE PARTS LIST

Order

When placing an order for Spare Parts please give only the order numbers listed in the spare parts list. The order number can refer to 1 piece or 1 repair set (multiple quantity). The minimum order quantity for each order number must correspond with the packed quantity or multiples of the packing quantity.

Examples:

1. A customer orders 10 pieces:
 - Quantity delivered: 1 package with 10 pieces V04711
 - Price charged: 10 * V04711 at 0,90 £/€ each; total price = 9,00 £/€
2. A customer orders 3 pieces:
 - When booking the order the order quantity is automatically increased to 10 pieces.
 - For order quantity and price charged please see above example no. 1
3. A customer orders 16 pieces:
 - When booking the order, the order quantity is automatically increased to the next higher packing quantity – 20 pieces.
 - Quantity delivered 2 packages with 10 * V04711
 - Prices charged: 20 * V04711 at 0,90 £/€ each; total price = 18,00 £/€

Repair-Exchange (REX)

A repair-exchange is normally carried out only if a repairable part has been returned by the customer. At customer's request Dräger will however charge the list price for the new part if the customer's old part is not received within the corresponding period. A repair-exchange is normally carried out only if a repairable part has been returned by the customer. At customer's request Dräger will however charge the list price for the new part if the customer's old part is not received within the corresponding period.

Spare parts sets

Information concerning the handling of spare parts sets in the case of repair. For technical reasons, it is always necessary to exchange complete sets. This will ensure the correct functioning of the repaired device.

Export authorisation

The spare part list may contain material numbers which are subject to an export authorisation requirement. These items are marked with an "X" in front of the material number. Legal regulations with regards to these materials have to be observed.

Spare parts for authorised service-stations

The spare parts list may also contain material numbers which can be obtained only by service-stations authorised exclusively through Dräger. These items are marked with a "T" in front of the material number.

Prices

Unless agreed otherwise, the prices are ex works including loading at the works and does not include statutory valued added tax. Prices are valid as of date of print. For the rest we would refer you to the "Standard Terms and Conditions for Goods and Services of Dräger Safety AG & Co. KGaA per June 2005".

PIR 7000/7200 [SL02449]
PIR 7000/7200



PIR 7000



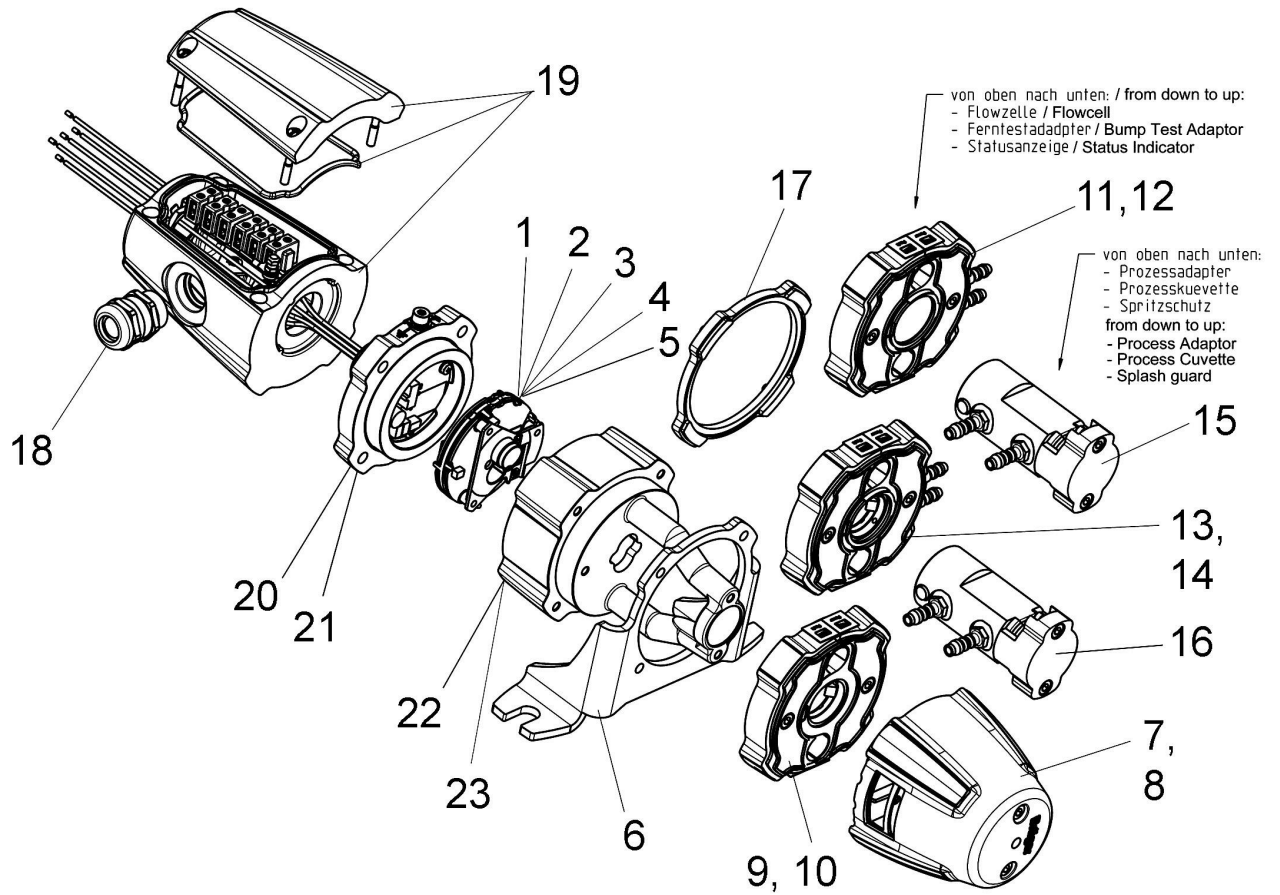
PIR 7200

PIR 7000/7200 [SL02449]
PIR 7000/7200

Position	Description	Material number	Product group	Packing unit	Packing quantity	End of repair
	PIR 7000/7200					

*Only
Service*

PIR 7000/7200 [SL02449]
PIR 7000/7200



PIR 7000/7200 [SL02449] PIR 7000/7200

Position	Description	Material number	Product group	Packing unit	Packing quantity	End of repair
-	PIR 7000 type 334 M25 HART	6811550	343	1	ST	
-	PIR 7000 type 334 M25	6811820	343	1	ST	
-	PIR 7000 type 334 NPT HART	6811552	343	1	ST	
-	PIR 7000 type 334 NPT	6811822	343	1	ST	
-	PIR 7000 type 334 (NPT) CCCF	6812502	343	1	ST	
-	PIR7000 type 334 M25 HART, cpl. Set	6811817	343	1	ST	
-	PIR 7000 type 334 M25, cpl. Set	6811825	343	1	ST	
-	PIR 7000 type 334 (M25) CCCF, cpl.	6812503	343	1	ST	
-	PIR 7000 type 340 M25 HART	6811560	343	1	ST	
-	PIR7000 type 340 M25 HART, cpl. Set	6811819	343	1	ST	
-	PIR 7000 type 340 M25	6811830	343	1	ST	
-	PIR 7000 type 340 NPT HART	6811562	343	1	ST	
-	PIR 7000 type 340 NPT	6811832	343	1	ST	
-	Draeger PIR 7200 (M25) HART	6811570	342	1	ST	
-	Draeger PIR 7200 (NPT) HART	6811572	342	1	ST	
-	PIR7200 M25 HART, cpl. set	6812290	342	1	ST	
1	Rep.Set Meas.Mod. PIR 7000 type 334 HART	6811981	394	1	ST	
2	Rep.Set Meas.Mod. PIR 7000 type 340 HART	6811982	394	1	ST	
3	Rep.Set Meas. Module PIR 7200 HART	6811983	394	1	ST	
4	Rep.Set Meas.Mod. PIR 7000 type 334	6811984	394	1	ST	
5	Rep.Set Meas.Mod. PIR 7000 type 340	6811985	394	1	ST	
6	mounting set PIR 7000	6811648	348	1	ST	
7	Splash guard PIR 7000	6811911	348	1	ST	
8	Splash guard PIR 7200	6811912	348	1	ST	
9	Status Indicator PIR 7000	6811625	348	1	ST	
10	Status Indicator PIR 7200	6811920	348	1	ST	
11	Flowcell PIR 7000	6811490	348	1	ST	
12	Flowcell PIR 7200	6811910	348	1	ST	
13	Bump Test Adapter PIR 7000	6811630	348	1	ST	
14	Bump Test Adapter PIR 7200	6811930	348	1	ST	
15	Process Adapter PIR 7000	6811915	348	1	ST	
16	Process Cuvette PIR 7000	6811415	348	1	ST	
17	Faceplate PIR 7000	6811908	394	1	ST	
18	CABLE Gland M20 DSIR cpl.	6811323	348	1	ST	
19	junction box Ex e PIR 7000	6811898	348	1	ST	
20	Rep.Set Top Cover PIR 7000/7200 M25	6811998	394	1	ST	
21	Rep.Set Top Cover PIR 7000/7200 NPT	6811999	394	1	ST	
22	Repair Set Cuvette PIR 7000	6811996	394		ST	

Only
Service

PIR 7000/7200 [SL02449] PIR 7000/7200

Position	Description	Material number	Product group	Packing unit	Packing quantity	End of repair
23	Repair Set Cuvette 7200 Subsequent position not illustrated:	6811997	394		ST	
-	Service Kit Calibration Labe PIR 7000	6811986	394	1	ST	
-	Service Kit Calibration Label PIR 7200	6812031	394	1	ST	
-	MAGNETIC WAND	4543428	378	1	ST	
-	Housing (Cortem)	6811161	348	1	ST	
-	USB PC adapter PIR 7000	6811663	348	1	ST	
-	Instruction for Use PIR 7000	9023885	343	1	ST	
-	TM-Dräger PIR 7000	9023886	343	1	ST	
-	Hydrophobic Filter PIR 7000	6811890	348	1	ST	
-	Insect Guard PIR 7000	6811609	348	1	ST	
-	Calibration Adapter PIR 7000	6811610	348	1	ST	
-	Labelset Power-Fault	6811902	394	1	ST	
-	O-Ring 28x2,5	8317021	394	1	ST	
-	converter module Electronics RAB 7000 cpl.	6812831	348	1	ST	

*Only
Service*