

1 Safety-related information

- Before using this product, carefully read these instructions and those of any associated products.
- Strictly follow these instructions and the instructions for use of any associated products. The user must fully understand and strictly observe the instructions.
- Use the product only for the purposes specified in the intended use section of this document.
- Do not dispose of these instructions. Ensure that they are retained and appropriately used by the product user.
- Only trained and competent users are permitted to use this product.
- Comply with all local and national rules and regulations associated with this product.
- Use only genuine Dräger spare parts and accessories. Otherwise, the proper functioning of the product may be impaired.
- Do not use a faulty or incomplete product. Do not modify the product.
- Notify Dräger in the event of any component fault or failure.

2 Conventions in this document

2.1 Definitions of alert messages

The following alert messages are used in this document to alert the user to potential hazards. The definitions of the alert messages are as follows.

⚠ WARNING

Indicates a potentially hazardous situation which, if not avoided, could result in death or serious injury.

NOTICE

Indicates a situation which, if not avoided, could result in damage to the product or the environment.

2.2 Typographical conventions

▶ A triangle is used in alert messages to indicate possible ways of avoiding the hazard.

ℹ An information symbol is used for notes and additional useful information.

3 Description

3.1 Product overview

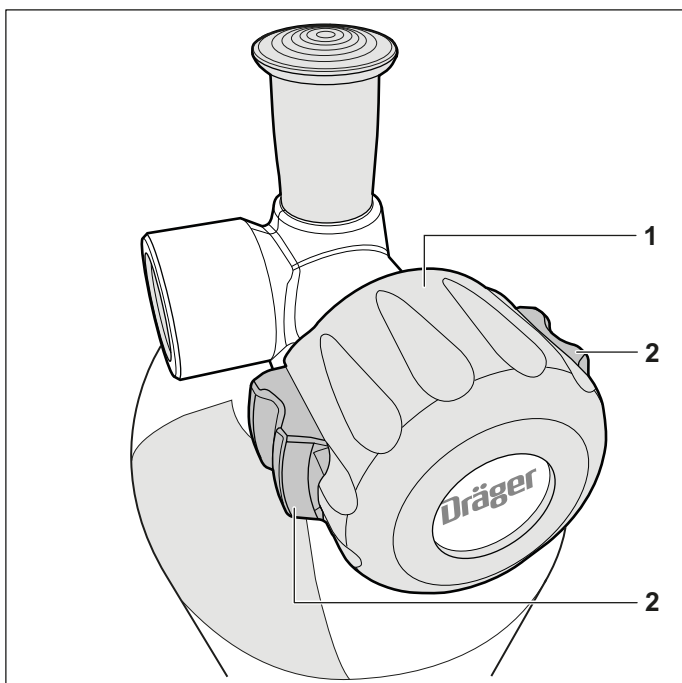


Fig. 1 Push-button hand wheel

No	Description
1	Hand wheel
2	Button

The push-button hand wheel contains a button-operated ratchet mechanism that is intended to prevent inadvertent closing of the cylinder valve. The hand wheel turns freely when opening the valve but is restricted during closing. During opening, the hand wheel clicks as it lifts over the ratchet lugs. During closing, both push-buttons must be pressed and held as the hand wheel is turned.

3.2 Intended use

The push-button hand wheel is intended to replace the existing ratchet hand wheel that is fitted to a Dräger compressed air cylinder valve. It is designed to prevent the inadvertent closing of the cylinder valve.

3.3 Limitations on use

The push-button hand wheel can only be fitted to Dräger cylinders.

4 Installation

4.1 Prerequisites

⚠ WARNING

High-pressure air release can cause injury to the user or other personnel near the breathing apparatus.

- ▶ Fully discharge cylinders before commencing any work on the valve.
- ▶ Do not direct the discharging air towards the eyes, face, or skin.

ℹ Dräger recommend using the silencer (part number: 6526316) when discharging cylinders.

1. Remove the cylinder from the breathing apparatus (see the associated instructions for use).
2. Locate the cylinder on to an appropriate cylinder support to prevent it moving.
3. Open the cylinder valve.
4. Fully discharge the cylinder in a safe and controlled manner.

4.2 Uninstall the ratchet hand wheel

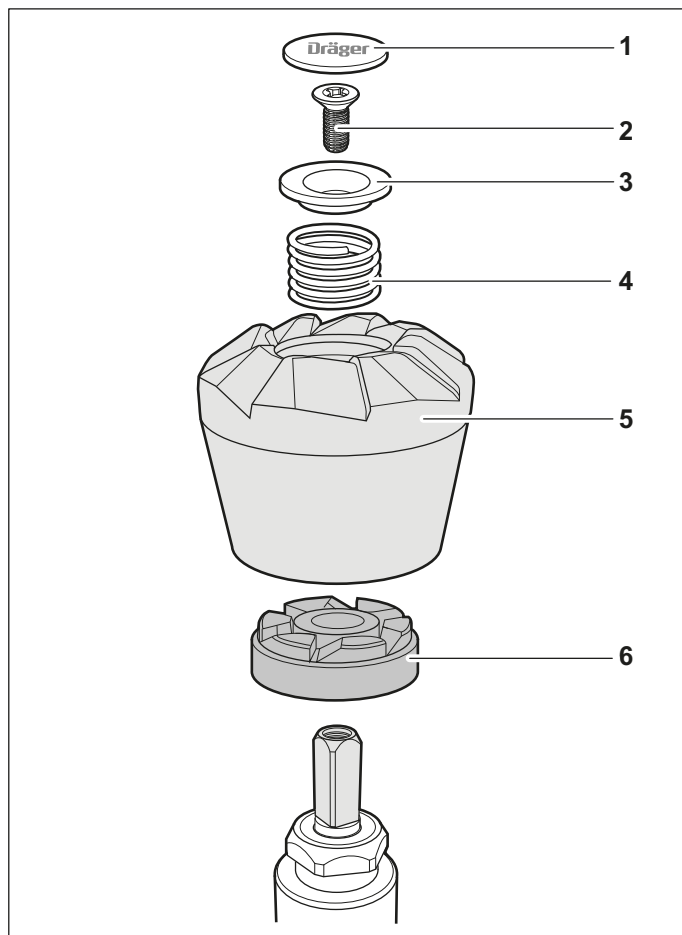


Fig. 2 Ratchet hand wheel components

No	Description
1	Disc
2	Screw
3	Spring plate
4	Spring
5	Hand wheel
6	Ratchet cap

Work equipment

- Flat-bladed screwdriver (2 mm)
- Crosspoint screwdriver (no. 1)

1. Remove the disc.
2. Remove the screw.
3. Remove the spring plate and screw.

ℹ The spring is compressed under the screw and expands rapidly when the screw is removed.

4. Remove the hand wheel.
5. Remove the ratchet cap.

4.3 Install the push-button hand wheel

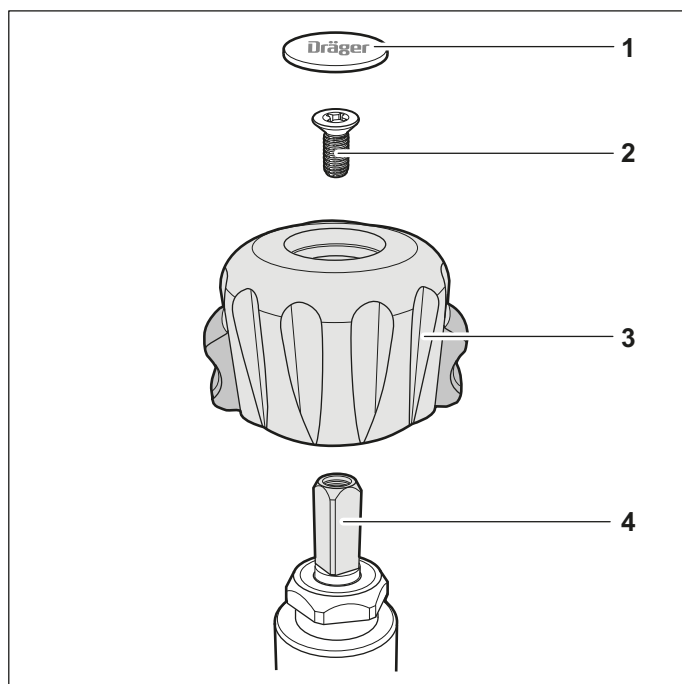


Fig. 3 Push-button hand wheel components

No	Description
1	Disc
2	Screw
3	Hand wheel
4	Spindle

Work equipment

- Torque driver (3–4 Nm)

- Crosspoint screwdriver bit (no. 1)

1. Fit the hand wheel to the spindle.
2. Insert the screw into the hand wheel and tighten to 3–4 Nm.
3. Check the ratchet by opening and closing the valve (see section 5).
4. Fit the edge of the disc into the groove in the hand wheel, with the Dräger logo on the outside.
5. Press the disc firmly into the hand wheel.

5 Using the modified product

To open the cylinder valve, turn the hand wheel fully anticlockwise.

- The push-button hand wheel lifts over the ratchet lugs during opening.
- Once a push-button hand wheel is fully open, turn the hand wheel clockwise until a resistance is felt and no further rotation is possible. This engages the first ratchet lug and prevents inadvertent closing of the valve.

NOTICE

Incorrect operation causes damage to the ratchet mechanism

The ratchet mechanism of the push-button hand wheel is susceptible to wear. Incorrect operation will wear down the teeth of the ratchet mechanism and reduce the operational life.

- ▶ Fully depress the 2 push-buttons on the hand wheel when closing the cylinder valve.

To close the cylinder valve, press and hold both buttons against the spring force, and simultaneously turn the hand wheel fully clockwise.

- Turning the hand wheel with only 1 button depressed will not close the cylinder valve.

To open or close the valve fully, turn until a resistance is felt and no further rotation is possible.

- From the fully closed to the fully open position requires more than 2 full revolutions of the hand wheel.

6 Order list

Description	Quantity	Order code
Push-button hand wheel	1	3721988

7 Manufacturer and document information

Manufacturer

Dräger Safety UK Limited

Ullswater Close
Blyth, NE24 4RG
United Kingdom
Tel: +44 1670 352 891
Fax: +44 1670 356 266

www.draeger.com

3725522_en

© Dräger Safety UK Limited
Edition: 1 – 2022-03
Subject to alteration